

DATASHEET

**WIRELESS SOUNDER INTERFACE MODULE +
CONVENTIONAL WALL SOUNDER**

TW-MWSO-01 + CWS100

The TW-MWSO-01 + CWS100 Taurus Wall Sounder combines the Taurus Wireless Sounder Interface Module with the Conventional Wall Sounder (each sold separately). The Taurus Wall Sounder is a EN 54-3 (Type B) compliant acoustic device, equipped with 3 levels of volume adjustment and 32 recognised tones which can be set via the control equipment or locally at the sounder. The wireless wall sounder, once properly connected to a wireless system on a compatible loop, is fully controlled by the panel and benefits from an extensive range of intelligent control, test and monitoring functionality, including sounder synchronisation. Adaptive radio signal processing algorithms ensure the highest levels of life safety and reliability.



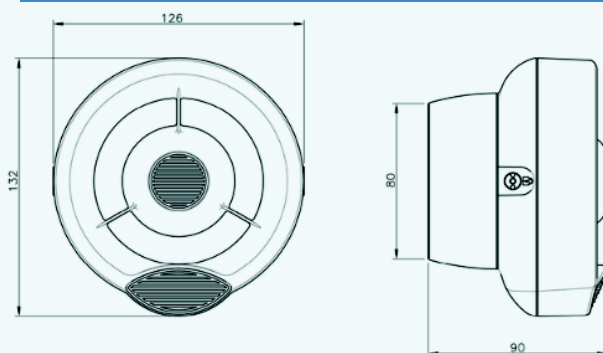
KEY FEATURES

- Bi-directional wireless communication
- 32 tones settings (primary and secondary for alert and evacuation), selectable via onboard dip switches
- High sound output capability
- On site adjustable volume settings
- 22 pairs of field channels
- Dual channel redundancy
- Long communication range (≈1 km in open air)
- 5 year battery life (including weekly test)
- Utilises standard low-cost lithium battery technology
- Easy scan & link programming option
- 3rd party approval to EN 54-3 and EN 54-25
- 5 year product warranty

TECHNICAL SPECIFICATION

Operating frequency range	868 – 870 MHz
Max radiated power	14dBm (25mW)
Acoustic Frequency range	400-2900 Hz
Maximum acoustic Output	100 dB(A) ± 3
IP rating	33C
Batteries	2x CR123A (3 V & 1.2 Ah)
Max humidity (non condensing)	95% RH
Operating Temperature	-10°C to +55°C
Weight (without batteries)	380 g
Dimensions	132 mm x 126 mm x 90 mm

TECHNICAL INFORMATION



STANDARDS & APPROVALS

- EN 54-3: Fire alarm devices - Sounders
- EN 54-25: Components using radio links



DATASHEET

WIRELESS SOUNDER INTERFACE MODULE + CONVENTIONAL WALL SOUNDER

TW-MWSO-01 + CWS100

TAURUS
By ARGUS SECURITY 

RELATED PRODUCT

The Taurus wireless system interface module (TW-MWSO-01) is designed for use with the Taurus range of modular wall sounders and beacons.

