



Selectable Output Horns, Strobes & Horn Strobes

System Sensor selectable output horns, strobes & horn strobes are rich with features guaranteed to reduce installation and maximize profits.

Features : Horn, Strobes & Horn Strobes

- Mounting plate included for compatibility with a wide range of back box sizes,
- Three field selectable candela settings: 15, 75, and 115,
- Easy to use rotary dials for selection of candela and horn settings,
- Built in synchronization feature keeps strobes in sync for up to 30 minutes,
- Strobes Listed to UL 1638; Horns Listed to UL 464,
- Horn settings on the horn strobe model include high and low volume, continuous or temporal 3 tone,
- Round trim ring available for ceiling mount applications,
- Universal Fire symbol is language independent,
- Trim plate allows mini horn to mount to a variety of backboxes and fit aesthetically with the horn strobe and strobe.

Features : Mini-Horn

- 12 and 24V operation,
- High and low volume settings,
- Temporal and non-temporal tones,
- Mounts to single gang back box,
- Compatible with MDL sunc module,
- Mechanically and electrically compatible with PA400 series Mini-Alert™ sounders.

Agency Listing

SIGNALING



LISTED



The System Sensor line of notification devices offers the most flexible and easy-to-use line of horns, strobes, and horn strobes in the industry. With red housing, universal fire symbol and a ceiling mount accessory available these devices can meet virtually any application. They also mount to a wide variety of back box sizes to offer the most flexibility in installation.

This line of devices features a wide variety of features that simplifies installations. The mounting plate allows the devices to be compatible with a wide range of back box sizes. Settings for the strobe and horn are done using easy to set rotary switches on the back of the device. Synchronization is achieved without the use of additional modules; when powered with a filtered DC source, the strobe portion is capable of self synchronization for 30 minutes per NFPA 72.

Devices work on 24 volts DC or full wave rectified power. Three candela options are available for the strobe. On the horn strobe model, high and low volume are options for the horn as well as a continuous tone or temporal 3 output. The mini horn model has a continuous tone output and one volume setting.

Available accessories include a round trim ring to adapt the wall device for ceiling mount applications. Simply install the round ring over the square device for a perfect fit on the ceiling. An adapter plate is also available for the mini horn. It fits to a wider range of back boxes and fits with the family look of the horn strobe and strobe devices.

System Sensor Specifications

Architect/Engineer Specifications

General

System Sensor strobe and horn strobes shall mount to a 2"x4", 4"x4", Single Gang, Double Gang, 4" Octagon, 3.7" x 3.7", 2" round, 2.36" x 2.36", 3.54" x 2.6", 1.77" back box. System Sensor devices shall be powered from a non-coded notification appliance circuit output and shall operate on a nominal 24 volts. 24-volt-rated notification appliance circuit outputs shall operate between 17 and 33 volts. Devices operate between 32 and 120 degrees Fahrenheit from a regulated DC or full-wave rectified unfiltered power supply. Strobes and horn strobes shall have field-selectable candela settings including 15, 75 and 115 cd. The devices shall not operate on a coded power supply. Horn - strobe and strobe devices shall have built-in synchronization capability. Upon initial power up the devices shall be synchronized for up to 30minutes.

Strobe

The strobe shall be a System Sensor Model SYS-ST or SYS-ST-C listed to UL 1638 and shall be approved for fire protective service. The strobe shall be wired as a primary signaling notification appliance flashing at 1 Hz over the strobe's entire operating voltage range. The strobe light shall consist of a xenon flash tube and associated lens/reflector system.

Horn Strobe Combination

The horn strobe shall be a System Sensor Model listed to UL 1638 and UL 464 and shall be approved for fire protective service. The horn strobe shall be wired as a primary-signaling notification appliance and comply with the Americans with Disabilities Act requirements for visible signaling appliances, flashing at 1 Hz over the strobe's entire operating voltage range. The strobe light shall consist of a xenon flash tube and associated lens/reflector system. The horn shall have two audibility options and an option to switch between a temporal three-pattern and a non-temporal (continuous) pattern. These options are set by a multiple position switch.

Mini Horn

Mini-horns shall be a System Sensor Model MHR or MHW capable of operating at nominal 12 or 24VDC and shall mount to a deep single gang back box. Minihorn shall be listed to Underwriter's Laboratories Standard UL464 for fire protective signaling systems. Mini-horns shall operate between 32 and 120 degrees Fahrenheit from a regulated DC, or full-wave rectified, unfiltered power supply. When used with the Sync•Circuit™ Module, 12-volt rated notification appliance circuit outputs shall operate between nine and 17.5 volts; 24-volt rated notification appliance circuit outputs shall operate between 17 and 33 volts.

Physical/Electrical Specifications: Horn, Strobes & Horn Strobes

Standard Operating Temperature	32°F to 120°F (0°C to 49°C)
Humidity Range	10 to 93% non-condensing
Strobe Flash Rate	1 flash per second
Nominal Voltage	Regulated or regulated 24 DC/FWR1
Operating Voltage Range2	16 to 33 V (24 V nominal)
Input Terminal Wire Gauge	14 to 18 AWG*
Strobe and horn strobes dimensions(including lens)	5.15" L x 5.0"Wx 1.5" D (131mmx 127mmx 38mm)
Ceiling trim ring dimensions (sold as a pack of 5)	6.8 " dia / 1.5" depth (173mmdia / 1.5" depth)

Mini-Horn UL Sound Output and Current Draw Data

Sounder Output (dBA)

Switch Setting	Pattern	Output Level	8–17.5 VDC	8–17.5 VFWR	Nominal 12 VDC	Nominal 12 VFWR	16–33 VDC	16–33 VFWR
1	Temporal	High	68	67	71	70	78	76
2	Temporal	Low	66	65	69	68	76	75
3	Non-temporal	High	72	71	75	74	80	79
4	Non-temporal	Low	70	69	73	72	78	77

Sounder Current Draw (mA RMS)

Switch Position	Sound Pattern	Volume	8–17.5 Volts		16–33 Volts	
			DC	FWR	DC	FWR
1	Temporal	High	12	10	17	15
2	Temporal	Low	10	9	14	13
3	Non-temporal	High	22	17	29	25
4	Non-temporal	Low	17	13	21	19

Full Wave Rectified (FWR) voltage is a non-regulated, time-varying power source that is used on some power supply and panel outputs.

UL Current Draw Data

UL Max. Strobe Current Draw (mA RMS)

	Switch Position	Candela	16-33 Volts	
			DC	FWR
Standard Candela Range	Position 1	15	34	45
	Position 2	75	63	74
	Position 3	115	79	89

UL Max. Current Draw Horn Strobe

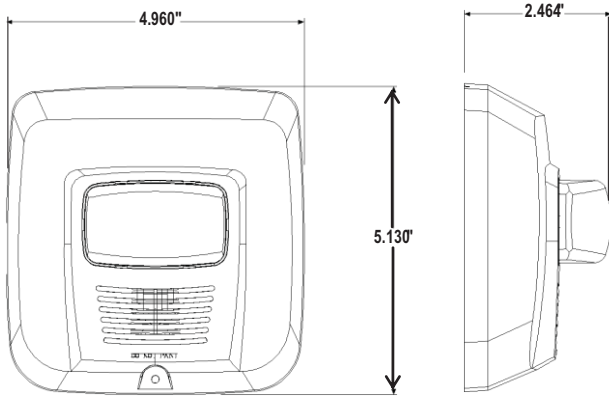
	16-33 Volts		
	15	15/75	30
DC Input			
Temporal High	36	67	84
Temporal Medium	34	65	82
Continuous High	40	72	90
Continuous Low	37	68	85
FWR Input			
Temporal High	51	77	83
Temporal Low	49	75	92
Continuous High	55	82	98
Continuous Low	50	78	94

Horn Tones and Sound Output Data

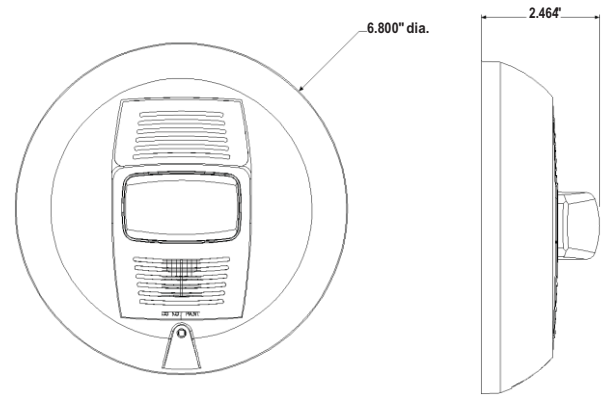
Horn Strobe Output (dBA)

Switch Position	Sound Pattern	dB	24-Volt Nominal					
			16-33 Volts [†]		Reverberant		Anechoic	
			DC	FWR	DC	FWR	DC	FWR
1	Temporal	High	78	77	78	77	100	104
2	Temporal	Low	74	73	74	73	103	101
3	Continuous	High	82	80	82	80	100	104
4	Continuous	Low	80	78	80	78	103	101

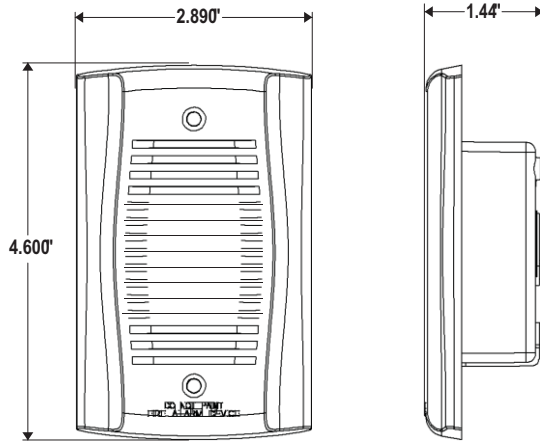
[†]Minimum dB rating for Operational Voltage Range as per UL 464.



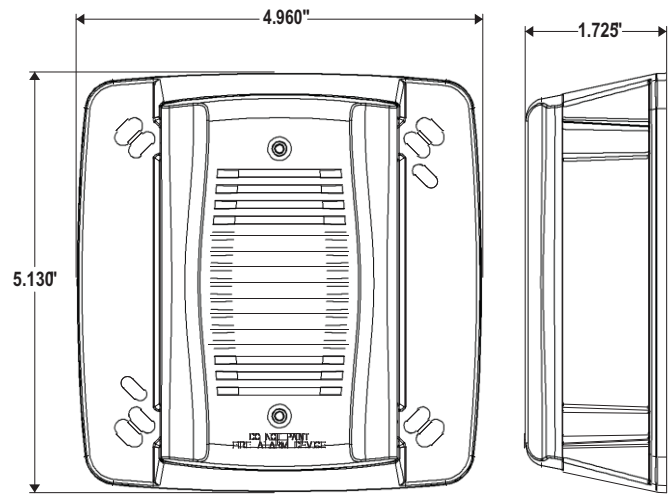
Wall Mount Horn Strobe Product



Ceiling Mount Horn Strobe



Mini Horn



Mini Horn with Optional Trim Plate

System Sensor Ordering Information

Model	Description
Wall Horn Strobes	
SYSHS	Horn Strobe, Wall Mount
SYSHSC	Horn Strobe, Ceiling Mount
Wall Strobes	
SYSST	Strobe, Wall Mount
SYS-ST-C	Strobe, Ceiling Mount
SYS-CTP	Ceiling Mount Trim Plate

Model	Description
Mini Horn	
MHR1	Mini-Horn, Red
SYS-MH-TP	Trim Ring for use with the Mini Horn



Tech Support : Support.ssi@honeywell.com
 Sec 36- Pace City – II, Gurgaon, Haryana- 122004
 Phone: (0124) 4752700 • Fax: (0124) 6722700

©2010 System Sensor.
 Product specifications subject to change without notice. Visit systemsense.com for current product information, including the latest version of this data sheet
 AV-IndiaCL001