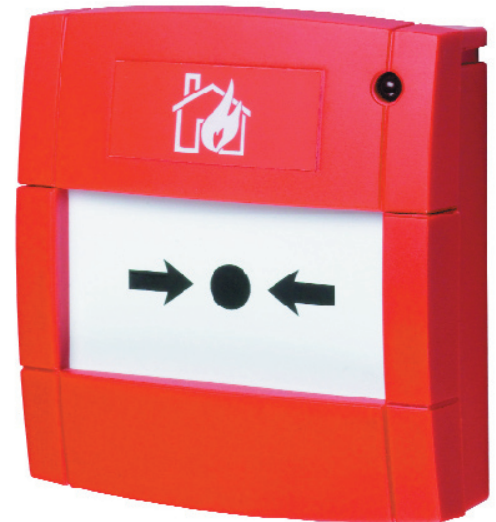
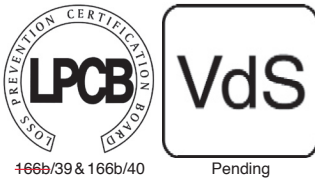


MCP Indoor Manual Call Point



>Product Benefits

- Unique 'Plug & Play' installation concept
- Total 'Flex-Ability' in the choice of operating element
- Anti-Tamper facility
- Enhanced aesthetics
- Fully approved to the latest standards



Product Overview

Installation efficiency, flexibility and full compliance with the latest standards are at the heart of the new MCP Indoor Call Point range.

Installation time and ultimately cost, are of paramount importance to any fire or security installer. The MCP range directly reflects this need by providing a unique 'plug and play' concept designed specifically to reduce installation time. All new MCP products utilise a special terminal block, where all initial installation cabling is terminated. This terminal block is then simply connected to the back of the MCP. Simple, but effective with no re-termination required and no time wasted.

Through new standards and legislation, both break glass and re-settable operating elements can now be used within a manual call point. To provide you with the greatest 'flex-ability', the new MCP range can be configured as either a break glass or re-settable unit by simply changing from one element to another. No other additional parts or alternative products need to be ordered.

All MCP Indoor Call Point products also help preserve the integrity of the overall system as illegal removal of the product lid will result in the call point operating and the system going in to alarm.

Full compliance with the latest standards is essential and the new MCP indoor call point range is fully approved to the latest EN54-11 standard.

All MCP2 products are supplied with an LED indicator as standard.

The MCP2A Product version is supplied with both a resistor and normally open, clean contact electrical options. These options are simply utilised by attaching the terminal block to the required connection in the back of the MCP product. A variety of resistor values are available by request, with 470Ω offered as standard.

The MCP2B product versions are designed for connection to "savwire" systems.



KAC

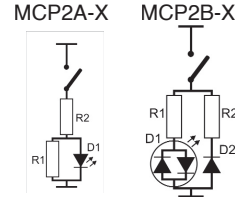
MCP₂
Rev. No. 3



Electrical Specification

Connection Details: See Figure .1
 Cable Termination: 0.5-2.5mm²
 Maximum Voltage: 30VDC
 Current Rating: 2 Amps

Figure .1

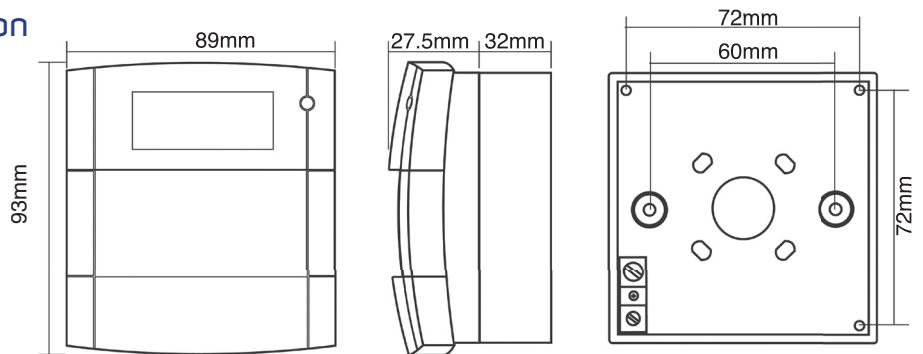


Environmental Specification

Humidity: 0-95% non-condensing
 Operating Temperature: -10°C to +55°C
 Storage Temperature: -10°C to +55°C
 Ingress Protection (IP) Rating: IP24D

Mechanical Specification

Material: PC/ABS
 Weight: 110g Flush
 160g Surface
 Colour: Red, Ral 3001



Ordering Information

Model

MCP2A/R470FF/01	Conv. MCP, Red, with LED ,470 Ohm, W/O Back Box, India
MCP2A/R470SF/01	Conv. MCP, Red, with LED, 470 Ohm, with BB, India
MUS4A/Y000SF/12	Conv. MCP, Yellow , Dual Pole, Flexi Element, with BB, India
MUS3A/G000SF/12	Conv. MCP, Green, Single Pole, Flexi, with BB, India
MUS3A/Y000FF/11	Conv. MCP, Yellow, Single Pole, Flexi Element, W/O BB, India
MUS4A/G000SF/12	Conv. MCP, Green, Dual Pole, Flexi, with BB, India

N/O = Normally Open Contact
 SAV = Savwire system

Accessories

Code	Description
SC070	Pack Of Ten Test Keys
KG1 x5	Pack Of five Glass Elements
PS210	Flexible Operating Element
PS200	Plain Hinged Cover
SC071	Pack Of Ten Terminal Blocks

> System Sensor India (Technical Services)

System Sensor and Devices
 Honeywell Life Safety
 Sector 36, Pace City II
 Gurgaon, India - 122004
 Toll Free number: 1800-103-0339
 email ID : systemsensorindiasupport@honeywell.com

System Sensor India (Customer Service)

System Sensor and Devices
 Honeywell Life Safety
 Sector 36, Pace City II
 Gurgaon, India - 122004
 Landline: +91 124 4752700
 Fax: +91 124 4752750