

RE-717MM

Analogue Addressable Monitor Module



Product Overview:

RE-717MM Monitor Module facilitates third party devices to interface with Ravel make addressable panel. Monitor Module is an input interface device for devices like security contacts, waterflow switches, pull stations etc. The RED blinking LED indicates normal operating conditions and the steady state LED for activated conditions. DIP switches are provided for addressing of the module. The Monitor circuit is supervised for faulty condition.

Special Features:

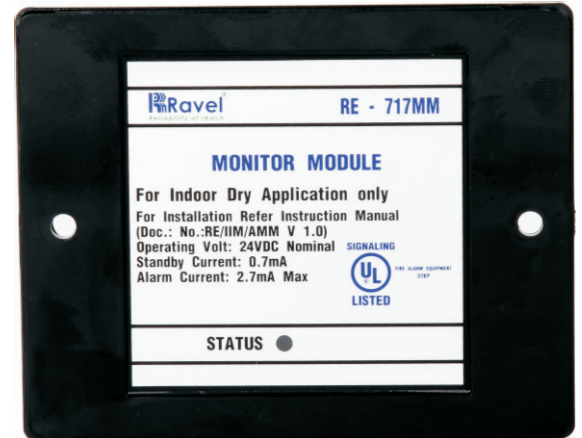
- Indian Manufacturer - International Standard.
- UL-Listed (9th Edition).
- Modular Construction.

Features:

- Module Status by RED LED.
- Analogue Communication with the panel.
- Module Addressing by 8 way DIP switches.
- Low Standby Current.
- Available with suitable back boxes.

Electrical Specification:

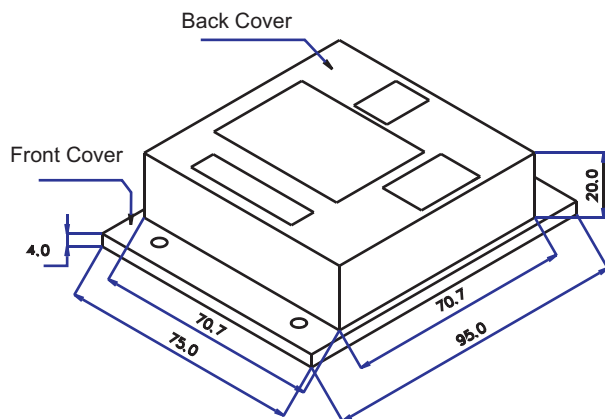
Operating Voltage	:	24 VDC Nominal.
Alarm Current	:	2.7 mA Max.(Latched)
Standby Current	:	0.7 mA
End of Line Resistor	:	47K Ohms
Communication Line	:	
Loop Impedance	:	40 Ohms
IDC wiring Resistance	:	100 Ohms Max.
IDC Voltage	:	8 V Max.
Temperature Range	:	0°C to 49°C / 32°- 120°F
Humidity	:	93 ± 2% RH (non-condensing) at 32 ±2° C / 90 ±3° F.



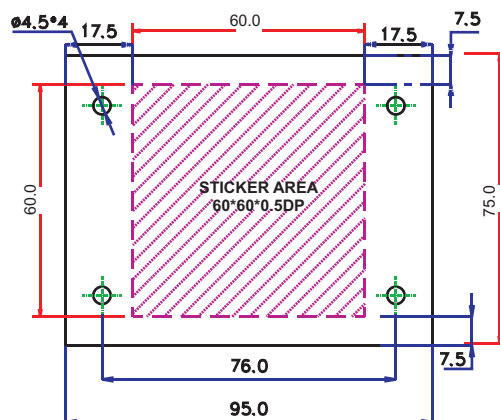
Mechanical Specification:

Dimensions : (95 W X 75 H X 24D) mm
 Color : Black
 Weight : 0.35 Kg

G.A. Diagram:

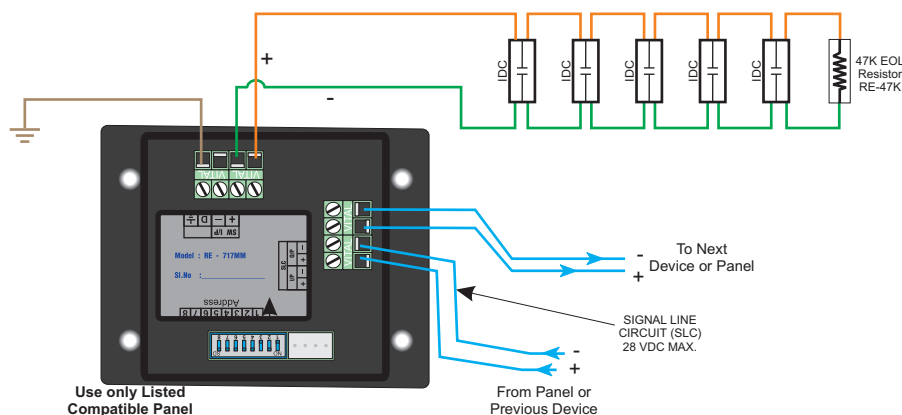


Mounting Detail:



ALL DIMENSIONS ARE IN MM

Wiring Configuration



NOTE:

- * D = NO CONNECTION
- * ALL WIRING SHOWN IS SUPERVISED AND POWER LIMITED

Compatible Devices:

MODELS	DESCRIPTION
Avani	Analogue Addressable Fire Alarm Control Panel

Ordering Information:

MODEL	DESCRIPTION
RE - 717MM	Analogue Addressable Monitor Module

*In the interest of improving quality and design, Ravel reserve the right to change the specification without prior notice.

RAVEL ELECTRONICS LTD.

Unit 11, Chancel Industrial Estate, Newhall street, Willenhall WV13 1NX, West Midlands, United Kingdom. E-mail: info@ravelfire.co.uk
 Web: www.ravelfire.co.uk