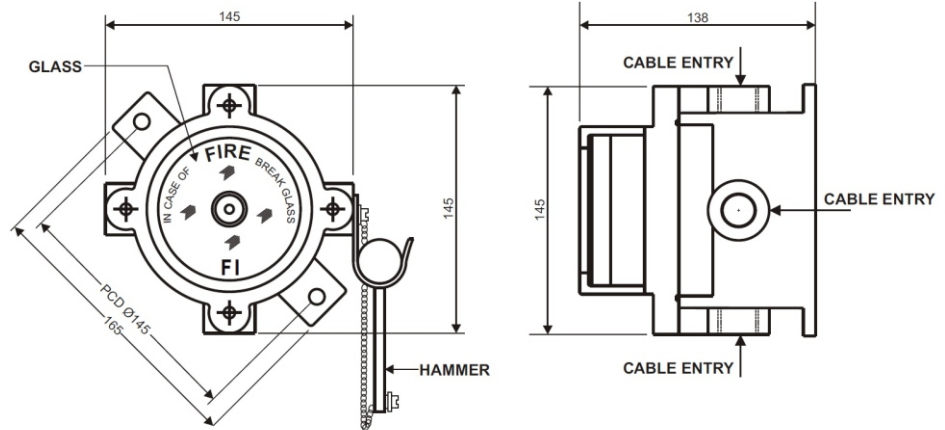


RE-716MF

Flame / Weather Proof MCP

Manual Call Point Break Glass Type



* All dimensions are in mm

Technical Data

Enclosure	:	Flame Proof / weather Proof
Degree of Protection	:	IP-65
Gas Group	:	Exd IIA, IIB
Standard	:	IS/IEC 60079-0: 2004 IS/IEC 60079-1: 2007 IS/IEC 60529: 2001
Material of construction	:	Aluminum Alloy - Lm6
Component	:	<u>Contact Element -1 NC - 5A @ 230VAC</u>
Earthing	:	2 Nos Outside
Coating	:	Fire Red, Powder coated
Weight	:	1.6Kg
Gland Entry	:	M20 / 3/4" ET

India:

RAVEL ELECTRONICS PVT LTD.,
(An ISO 9001 Company)
150A, Electronics Industrial Estate, Perungudi, Chennai - 96 .India.
E-Mail: marketing@ravelfire.com; Web : www.ravelfire.com

United Kingdom:

RAVEL ELECTRONICS LTD.,
Unit 11, Chancel Industrial Estate, Newhall street,
Willenhall WV13 1NX, West Midlands, United Kingdom.
E-mail: info@ravelfire.co.uk ;Web: www.ravelfire.co.uk