

# RE-677SO

## ADDRESSABLE SOUNDER BASE

### General

The addressable sounder base is designed to be connected to analogue addressable Fire Alarm Systems. And these addressable sounder bases should be connected to the compatible control panel. The RE-677SO Addressable sounder base receives their power from external 24-volt DC source and it is controlled via addressable communication. The address of these loop sounders shall be set by using 8-way DIP Switch. Eight different tones can be selected using 4-way dip switch.

### Features

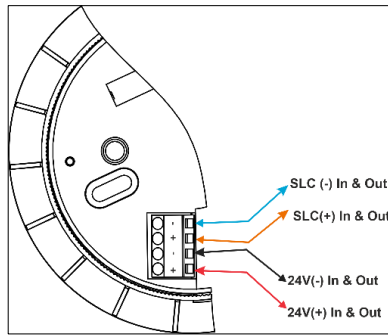
- Complies to UL464.
- Low Operating Current.
- All Tones are Synchronizable.
- The low frequency 520 Hz signal is unique, and is ideal for hotels, dormitories, and other sleeping occupancies.
- Addressing by 8-way DIP switch.
- 7 Different tone selection.
- Slim and sleek.
- Sounder volume low / high facility.



### Specification

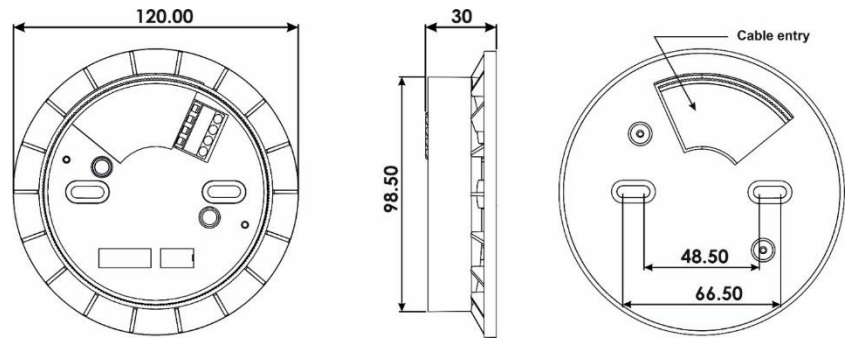
Electrical Specification	
<i>Operating Voltage</i>	17 ~ 32 VDC
<i>SLC Alarm Current</i>	1 mA
<i>SLC Standby Current</i>	0.8 mA
<i>External Supply Voltage</i>	17 ~ 32 VDC
<i>External Alarm Current</i>	4 mA
<i>External Standby Current</i>	0.8 mA
<i>Sound Level @24V</i>	80 db @ 3m
<i>Sound Element</i>	Piezo Electric Type
<i>Operating Temperature</i>	0 - 49° C / 32 - 120° F
<i>Storage Temperature</i>	0 - 60° C
<i>Humidity</i>	93 ± 2% RH (non-condensing)
<i>Material</i>	FR ABS
<i>Color</i>	White
<i>IP Rating</i>	IP 40
<i>Dimensions</i>	120 D x 45H
<i>Wire Size</i>	1.5Sqmm (16AWG) Max

## Wiring Diagram



Connect the Loop Positive & Negative wires to SLC IN Terminal, observing the polarity. The wiring terminal accepts solid or stranded cables up to 2.5mm<sup>2</sup>.

## Dimensions



## Tone Selection Chart

Tone	Description
1	US Temporal 3 520Hz
2	US Temporal 3 970Hz
3	US Temporal 4 970Hz
4	US Temporal 4 520Hz
5	970Hz Continuous
6	800 to 970Hz 1sec BS Fire Tone @ 1 Hz
7	Warble Tone 800Hz for 500ms, then 1000Hz for 500ms
8	US Temporal 3 520Hz

## Compatible Panel

Model	Description
<i>Aaral X4</i>	Analogue Addressable Fire Alarm Control Panel expandable upto 4 Loop
<i>Aaral X8</i>	Analogue Addressable Fire Alarm Control Panel expandable upto 8 Loop

## Ordering Information

Model	Description
RE-677SO	Addressable Sounder Base – Ceiling Mount

### India

RAVEL ELECTRONICS PVT LTD.,  
150A, Electronics Industrial Estate,  
Perungudi, Chennai – 96, India.  
E-mail: [marketing@ravelfire.com](mailto:marketing@ravelfire.com); Web: [www.ravelfire.com](http://www.ravelfire.com)

### USA

RAVEL AMERICAS INC.,  
2855 NW 112<sup>th</sup> Ave ST#2 Miami,  
Doral, Florida 33172, USA.