

LCZ-UM12-IN 12W Ceiling Loudspeaker

www.boschsecurity.com



BOSCH
Invented for life



- ▶ Excellent speech and music reproduction
- ▶ High sound pressure level
- ▶ Ideal for high ceiling applications

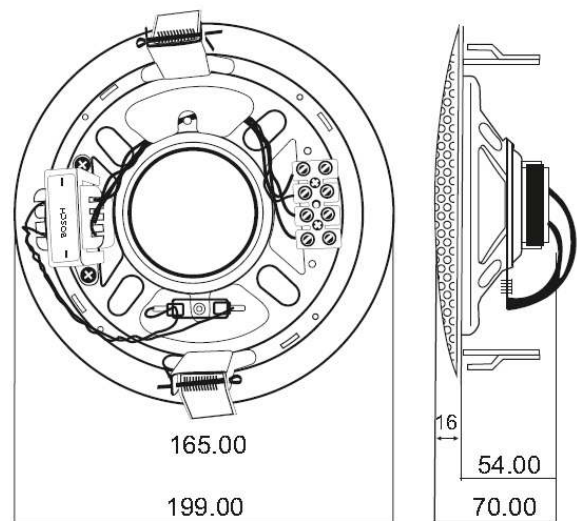
The LCZ-UM12-IN is a 12 W loudspeaker with integrated circular metal grille. It has excellent audio performance and is easy to install with its integral mounting clips. The loudspeaker is suitable for high ceiling applications.

Functions

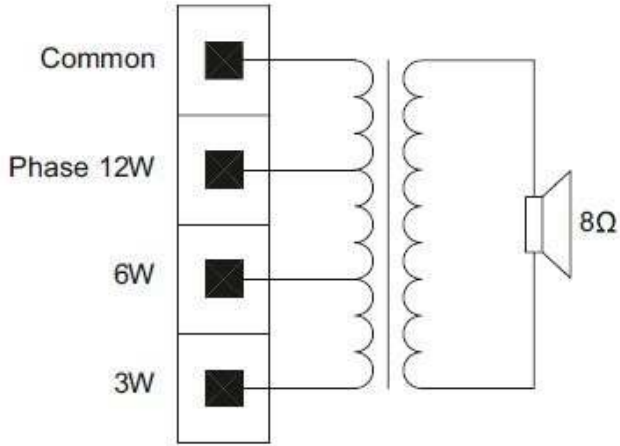
The LCZ-UM12-IN has a perforated metal grille, finished in an attractive off-white color. The LCZ-UM12-IN has a single piece 12W, dual cone loudspeaker. A 100V matching transformer is mounted on the back of the frame. It can be used in areas with high ceiling as well as in shops, departmental stores, offices, sports halls, hotels and restaurants. The loudspeaker has been tested for operating at rated power for 100 hours in accordance with IEC268-5 Power Handling Capacity (PHC) standards.

Installation/configuration notes

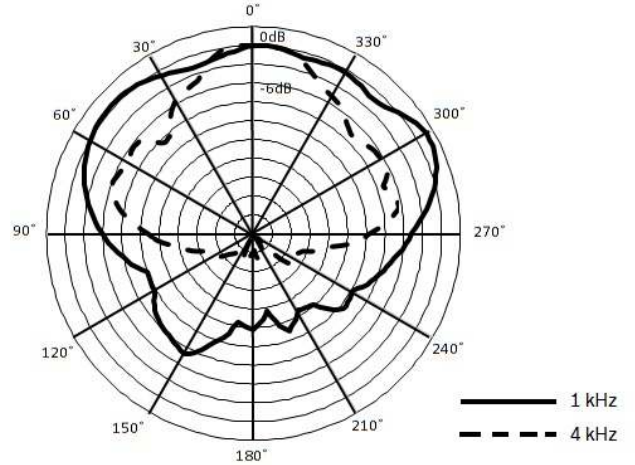
Installation is easy with integral clips that securely hold the ceiling loudspeaker in its cut-out. The line matching transformer mounted on the ceiling loudspeaker can be tapped for nominal full power, half power and quarter power radiation to adjust in 3dB steps.



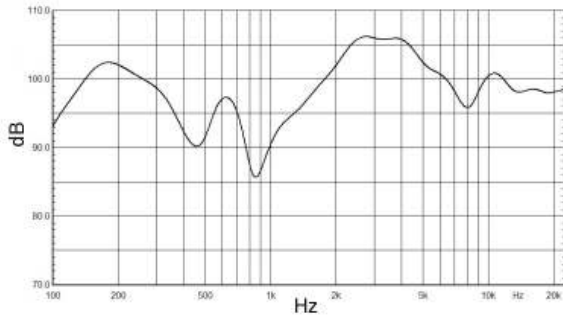
Dimensions in mm



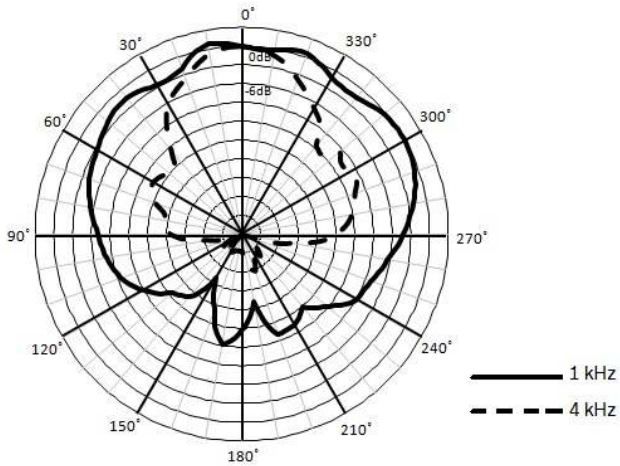
Circuit Diagram



Vertical Polar Diagram



Frequency Response



Horizontal Polar Diagram

Technical specifications

Electrical

Rated Power	12W
Sound Pressure Level at 12W/1 W (1 kHz, 1 m) 12W/1W (4 kHz, 1m)	101.8 dB / 91 dB 114.8 dB / 104 dB
Effective frequency range	100 Hz to 15 kHz(-10dB)
Opening angle (1kHz/4kHz,-6dB)	175° / 40°
Rated Impedance	833 Ohm
Rated input voltage	100V
Connector	4 Pole Screw Terminal

Mechanical

Diameter(in mm)	200
Depth(in mm)	70
Weight	1.3 kg
Colour	Off White

Environmental

Operating temperature	-5 °C to +55 °C
Storage temperature	-40 °C to +70 °C

Ordering information

LCZ-UM12-IN 12W Ceiling Loudspeaker
Order number **LCZ-UM12-IN**

Represented by:

Americas:

Bosch Security Systems, Inc.
130 Perinton Parkway
Fairport, New York, 14450, USA
Phone: +1 800 289 0096
Fax: +1 585 223 9180
security.sales@us.bosch.com
www.boschsecurity.us

Europe, Middle East, Africa:

Bosch Security Systems B.V.
P.O. Box 80002
5617 BA Eindhoven, The Netherlands
Phone: + 31 40 2577 284
Fax: +31 40 2577 330
emea.securitysystems@bosch.com
www.boschsecurity.com

Asia-Pacific:

Robert Bosch (SEA) Pte Ltd, Security
Systems
11 Bishan Street 21
Singapore 573943
Phone: +65 6571 2808
Fax: +65 6571 2699
apr.securitysystems@bosch.com
www.boschsecurity.asia

China:

Bosch (Shanghai) Security Systems Ltd.
201 Building, No. 333 Fuquan Road
North IBP
Changning District, Shanghai
200335 China
Phone +86 21 22181111
Fax: +86 21 22182398
www.boschsecurity.com.cn

America Latina:

Robert Bosch Ltda Security Systems Division
Via Anhanguera, Km 98
CEP 13065-900
Campinas, Sao Paulo, Brazil
Phone: +55 19 2103 2860
Fax: +55 19 2103 2862
latam.boschsecurity@bosch.com
www.boschsecurity.com