

# Intelligent DIN-Rail Input/Output Unit



## Product overview

Product Type	Input/Output Unit
Part No.	SA4700-302APO
Digital Communication	XP95, Discovery and CoreProtocol® compatible

## Compliance



## Product information

The Intelligent DIN-Rail Input/Output Unit provides supervision of one or more normally open volt free contacts connected to a single pair of cables and a set of changeover relay output contacts.

Refer to Table 1 for digital communications protocol compatibility and Table 2 for the Intelligent DIN-Rail Input/Output Unit operating modes.

- Improved design for ease of wiring meaning faster installation
- Contains controllable isolator \*
- Address range 1 - 254 \*
- Nine pre-configured modes, including compatibility mode from XP95/Discovery to CoreProtocol systems \*
- Failsafe Mode (meets BS 7273-4 requirements)
- Configurable input styles \*

\* Note: CoreProtocol enabled systems feature only, please check with your system partner for availability.

## Technical data

All data is supplied subject to change without notice. Specifications are typical at 24V, +25°C and 50% RH unless otherwise stated.

Supply voltage (Vmin-Vmax)	17–35 V dc
Protocol	5–13 V peak to peak
Power-up surge current	900 $\mu$ A
Quiescent current	500 $\mu$ A
Max current LEDs On	3.5 mA
Max current LEDs disabled	500 $\mu$ A
Relay output contact rating	1 A at 30 V dc or ac
Isolator data	Refer to the Short-Circuit Isolation datasheet PP2090
Operating temperature	-40°C to +70°C
Humidity	0% to 95% RH (no condensation or icing)
Vibration, impact and shock	EN 54-17, EN 54-18
Standards and approvals	EN 54-17, EN 54-18, CPR, LPCB, VdS, BOSEC, SBSC, FG
Dimensions	33 mm height x 102 mm width x 33 mm depth
Weight	49 g

Table 1: Digital communications protocol compatibility

Protocol	Device Behaviour
XP95 <sup>†</sup> /Discovery <sup>†</sup>	XP95
CoreProtocol <sup>†</sup>	Soteria

<sup>†</sup> Fire control panel dependant

**Table 2: Intelligent DIN-Rail Input/Output Unit operating modes\***

Mode	Description
1	DIL Switch XP Mode
2	Alarm delays
3	Output and NO input (can be equivalent for Output only)
4	Output and NC input
5	Output with Feedback (NC)
6	FailSafe Output with Feedback (NC)
7	FailSafe Output without Feedback
8	Momentary Input Activation Sets Output Relay
9	Input Activation Sets Output

\* CoreProtocol enabled systems only

### Failsafe Mode

In Failsafe mode the Intelligent DIN-Rail Input/Output Unit will activate the on-board relay output without being commanded by the control panel on loss of loop or protocol loss. Failsafe mode is selected via a DIL switch and indicated with an analogue value of 17.

### Mechanical Construction

The Intelligent DIN-Rail Input/Output Unit (see Figure 1) is designed to be mounted on a 35 mm width DIN-Rail inside an enclosure.

#### CAUTION

*Unit Damage. This unit is not designed for outdoor use unless it is mounted in a suitable weatherproof enclosure.*

### EMC Directive 2014/30/EU

The Intelligent DIN-Rail Input/Output Unit complies with the essential requirements of the EMC Directive 2014/30/EU, provided that it is used as described in this datasheet.

A copy of the Declaration of Conformity is available from Apollo on request.

Conformity of the Intelligent DIN-Rail Input/Output Unit with the EMC Directive, does not confer compliance with the directive on any apparatus or systems connected to them.

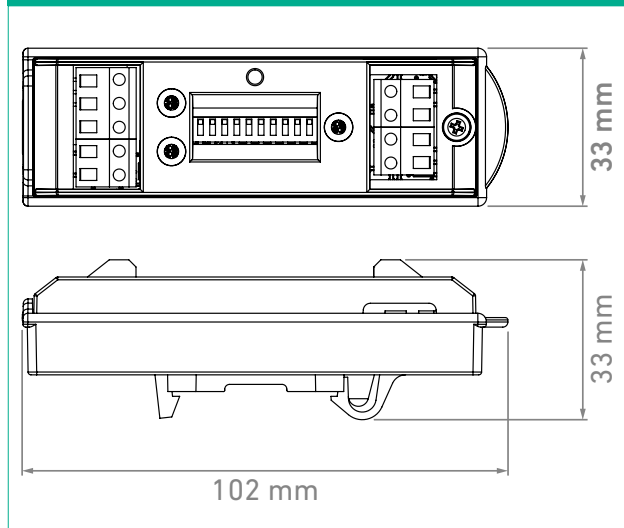
### Construction Products Regulation 305/2011/EU

The Intelligent DIN-Rail Input/Output Unit complies with the essential requirements of the Construction Products Regulation 305/2011/EU.

A copy of the Declaration of Performance is available from Apollo on request.

### Connectivity

Refer to Figures 2, 3 and 4 for unit connection information. Refer to Installation Guide 39215-160 for the installation instructions on this product. Table 3 details the status indications of this unit, from normal operation through to fault conditions.

**Figure 1 Intelligent DIN-Rail Input/Output Unit dimensional drawing****Table 3: Status Indications**

Legend	LED Status	Description
RLY	Continuous Red	Relay Active
RLY	Continuous Yellow	Relay Fault
Poll/ISO	Flashing Green	Polling LED
Poll/ISO	Continuous Yellow	Isolator LED
I/P	Continuous Yellow	Input Fault
I/P	Continuous Red	Input Active

Figure 2: Intelligent DIN-Rail Input/Output Unit standard resistive monitoring mode connectivity diagram

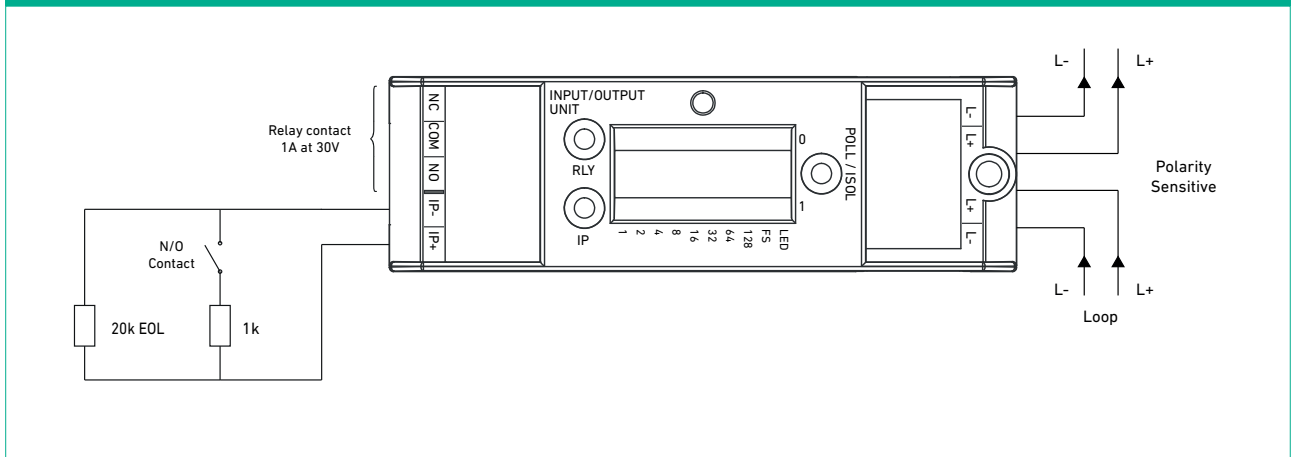


Figure 3: Intelligent DIN-Rail Input/Output Unit normally open monitoring mode connectivity diagram (compatible with CoreProtocol only)

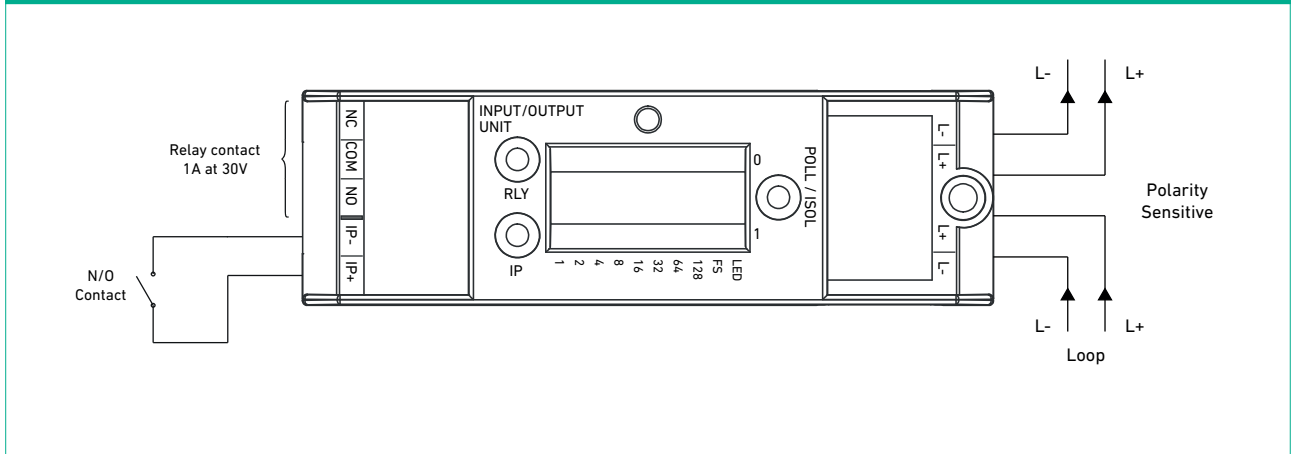


Figure 4: Intelligent DIN-Rail Input/Output Unit normally closed monitoring mode connectivity diagram (compatible with CoreProtocol only)

