

Intelligent DIN-Rail Switch Monitor



Product overview

Product Type	Switch Monitor
Part No.	SA4700-300APO
Digital Communication	XP95, Discovery and CoreProtocol® compatible

Compliance



Product information

The Intelligent DIN-Rail Switch Monitor is designed to monitor the state of one or more single pole, volt-free contacts connected on a single pair of cables and to report the status. It has a selectable status reporting delay making it suitable for monitoring flow switches.

Refer to Table 1 for digital communications protocol compatibility and Table 2 for the Intelligent DIN-Rail Switch Monitor operating modes.

- Improved design for ease of wiring meaning faster installation
- Contains controllable isolator *
- Address range 1 - 254 *
- Five pre-configured modes, including compatibility mode from XP95/Discovery to CoreProtocol systems *
- Priority mode for first response *
- Configurable input styles *

* Note: CoreProtocol enabled systems feature only, please check with your system partner for availability.

Technical data

All data is supplied subject to change without notice. Specifications are typical at 24 V, +25°C and 50% RH unless otherwise stated.

Supply voltage (V _{min} -V _{max})	17 V – 35 V dc
Protocol	5 V – 13 V peak to peak
Power-up surge current	900 µA
Quiescent current	500 µA
Max current LEDs On	2 mA
Max current LEDs disabled	500 µA
Isolator data	Refer to the Short-Circuit Isolation datasheet PP2090
Operating temperature	- 40°C to + 70°C
Humidity	0% to 95% RH (no condensation or icing)
Vibration, impact and shock	EN 54-17, EN 54-18
Standards and approvals	EN 54-17, EN 54-18, CPR, LPCB, VdS, BOSEC, SBSC, FG
Dimensions	33 mm height x 102 mm width x 33 mm depth
Weight	46 g

Table 1: Digital communications protocol compatibility

Protocol	Device Behaviour
XP95 [†] /Discovery [†]	XP95
CoreProtocol [†]	Soteria

[†] Fire control panel dependent

36 Brookside Road, Havant
Hampshire, PO9 1JR, UK.

Tel: +44 (0)23 9249 2412
Fax: +44 (0)23 9249 2754

Email: sales@apollo-fire.com
Web: www.apollo-fire.co.uk

All information in this document is given in good faith but Apollo Fire Detectors Ltd cannot be held responsible for any omissions or errors. The company reserves the right to change the specifications of products at any time and without prior notice.



A Halma company

© Apollo Fire Detectors Ltd 2022



Table 2: Intelligent DIN-Rail Switch Monitor operating modes*

Mode	Description
1	DIL Switch XP Mode
2	Switch monitor - normal resistance bands with alarm delays
3	Priority switch monitor - normal resistance bands
4	Switch monitor - NC input with alarm delays
5	Priority switch monitor - NC input

* CoreProtocol enabled systems only

Mechanical Construction

The Intelligent DIN-Rail Switch Monitor (see Figure 1) is designed to be mounted on a 35 mm width DIN-Rail inside an enclosure.



CAUTION: Unit damage

This unit is not designed for outdoor use unless it is mounted in a suitable weatherproof enclosure.

EMC Directive 2014/30/EU

The Intelligent DIN-Rail Switch Monitor complies with the essential requirements of the EMC Directive 2014/30/EU, provided that it is used as described in this datasheet.

A copy of the Declaration of Conformity is available from Apollo on request.

Conformity of the Intelligent DIN-Rail Switch Monitor with the EMC Directive, does not confer compliance with the directive on any apparatus or systems connected to them.

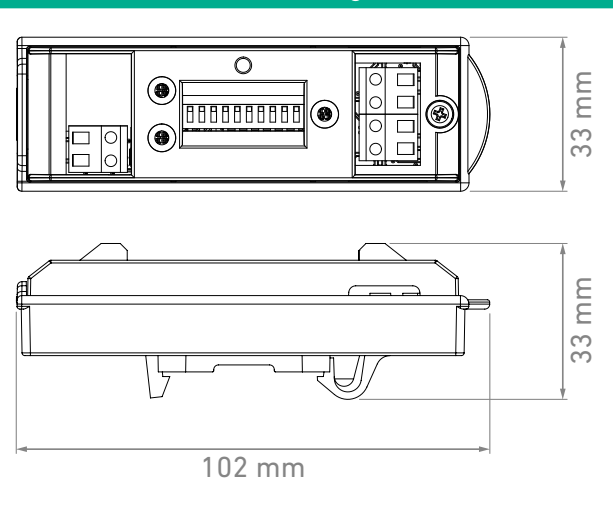
Construction Products Regulation 305/2011/EU

The Intelligent DIN-Rail Switch Monitor complies with the essential requirements of the Construction Products Regulation 305/2011/EU.

A copy of the Declaration of Performance is available from Apollo on request.

Connectivity

Refer to Figures 2, 3 and 4 for unit connection information. Refer to the Installation Guide 39215-164 for the installation instructions on this product. Table 3 details the status indications of this unit, from normal operation through to fault conditions.

Figure 1: Intelligent DIN-Rail Switch Monitor dimensional drawing**Table 3: Status Indications**

Legend	LED Status	Description
Poll/ISOL	Flashing Green	Polling LED
Poll/ISOL	Continuous Yellow	Isolator LED
I/P	Continuous Yellow	Input Fault
I/P	Continuous Red	Input Active

Figure 2: Intelligent DIN-Rail Switch Monitor standard resistive monitoring mode connectivity diagram

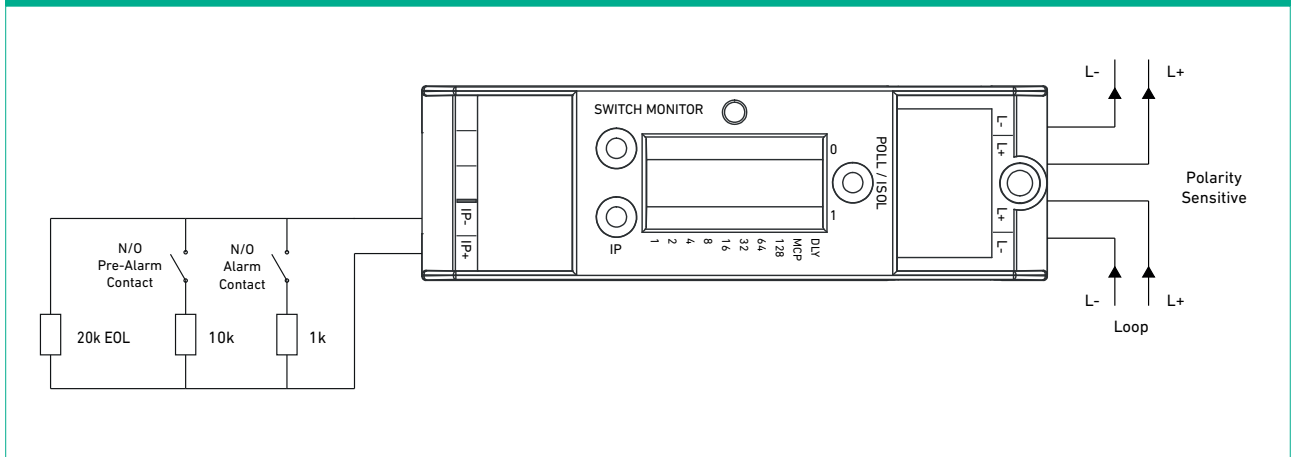


Figure 3: Intelligent DIN-Rail Switch Monitor normally open monitoring mode connectivity diagram (compatible with CoreProtocol only)

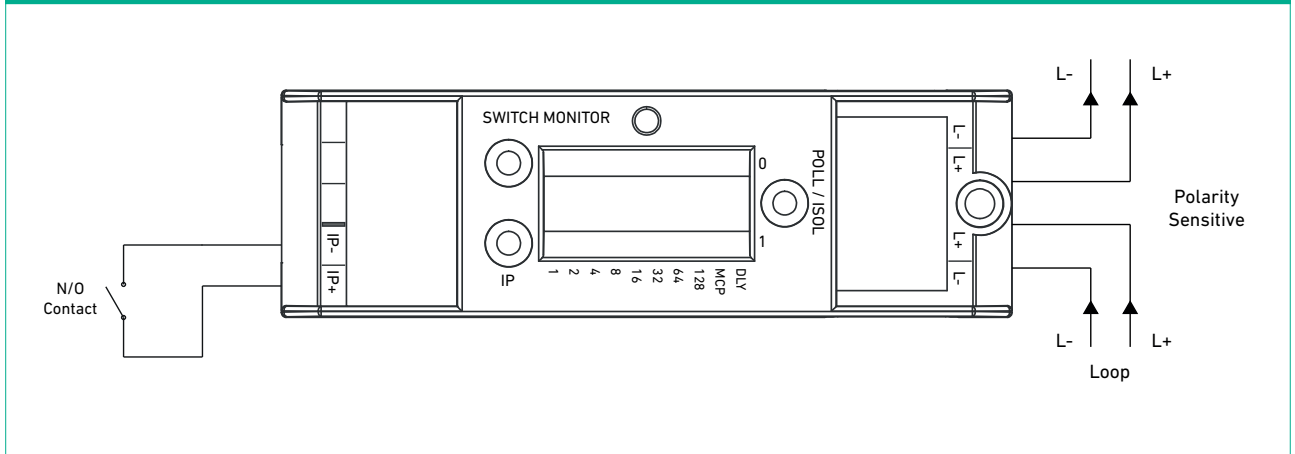


Figure 4: Intelligent DIN-Rail Switch Monitor normally closed monitoring mode connectivity diagram (compatible with CoreProtocol only)

