

P-9910B Hand Held Programmer



Description

In GST intelligent system, all addressable devices are electronically addressed. P-9910B Hand Held Programmer is the tool for programming. It can also be used to read the parameters and set the working mode of those devices.

Features and Benefits

- Hand held unit, portable tool
- Convenience operation
- Quadruple digit alphanumeric LCD display
- Low-consumption hibernation and power saving function
- Low battery indication
- WEEE & RoHS Compliant

Technical Specification

Power	One laminated battery, 9V
Operating Current	≤8mA
Standby Current	≤100μA
Operating Environment	Temperature: -10°C ~ +50°C Relative Humidity ≤95%, Non-condensing

Application

1. Applying to Detectors and Modules

The programmer can set the address, device type and sensitivity of a detector. It can also set the address, device type and parameter of a module, MCP and etc.

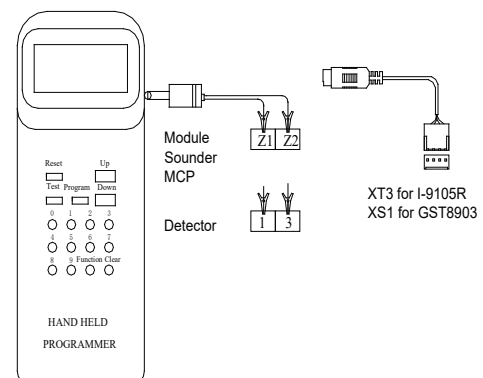
2. Applying to Graphic Repeater Panel (non-UL listed)

The programmer can set the code of the GST8903 Graphic Repeater Panel (Mimic Panel), together with parameters of each LED.

3. Applying to I-9105R Detector (non-UL listed)

The programmer can set the address and sensitivity of the I-9105R Intelligent Beam Detector.

The programmer has 2 types of cable links. The I2C terminal is used for I-9105R detector and GST8903 repeater. The usual clamps are for other devices.



Ordering Information and Compatible Devices

Part No.	P-9910B
Device Name	Hand Held Programmer
Product No.	10104894
Compatible Products	I series products DI series products GST8903 repeater panel