

I-HIP2PI-S25X

2MP 25x Starlight IR PTZ Camera

The new Impact IP series of PTZ cameras provide high-quality yet affordable surveillance for small and medium businesses which require long range indoor/outdoor cameras. The IP IR PTZ cameras address the needs of all kinds of customer applications with high resolution, pan, tilt, and zoom functions. The cameras come with various variants IR LEDs to provide best-in-class, effective and efficient surveillance even during the night. The cameras are IP66 rated which makes them resilient for any outdoor applications as well.



FEATURES AND BENEFITS

- Up to 1920X1080 @30fps
- Min. illumination Color: 0.001Lux @F1.5
- Optical zoom: 25x, digital zoom 16x
- Support Human/Vehicle Classification
- Smart IR Range Up to 150M
- IH+265/H.265/H.264/M-JPEG
- Built-in Heater
- Plugin Free
- IP66

SPECIFICATIONS

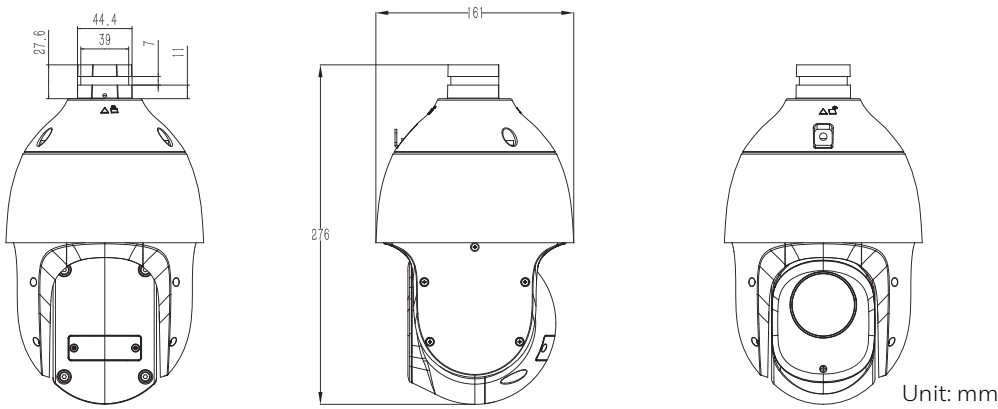
MATERIAL SPECIFICATIONS	
CAMERA	
Image Sensor	1/2.8" CMOS
Signal System	PAL/NTSC
Min. Illumination	Color: 0.001lux@ (F1.5, ACG ON), BW: 0lux with IR
Shutter Time	1s to 1/100,000s
Day & Night	Dual IR Cut Filter with Auto Switch
Wide Dynamic Range	140dB
Optical Zoom	25x
Digital Zoom	16x
LENS	
Focal Length	4.8mm~120mm
Zoom Speed	<4s
Angle of View	Horizontal: 58.5°(w)~2.8°(t) Vertical: 33.2°(w)~1.5°(t)
Aperture Range	F1.5~F3.8
PAN&TILT	
Pan Range	360°
Pan Speed	Pan Manual Speed: 0.1°~200°/s, Pan Preset Speed: 240°/s
Tilt Range	-16°~90° (Auto flip)
Tilt Speed	Tilt Manual Speed: 0.1°~120°/s, Tilt Preset Speed: 180°/s
3D Position	Yes

Presets	500
Preset Accuracy	±0.4°
Scan	8
Cruise	16, up to 32 presets per cruise
Pattern	8, each with 600s memory or 1000 orders
Power-off Memory	Yes
ILLUMINATOR	
IR LEDs	6
IR Range	Up to 150m
IR Irradiation Angle	Adjustable by Zoom
COMPRESSION STANDARD	
Video Compression	IH+265/H.265/H.264/M-JPEG
Video Bit Rate	32Kbps~16Mbps
Audio Compression	G.711A/G.711U/ADPCM_D/AAC_LC
Audio Bit Rate	8K~48Kbps
IMAGE	
Max. Resolution	2.0MP (1920×1080)
Main Stream	PAL: 25fps (1920×1080, 1280×720, 704×576, 640×480) NTSC: 30fps (1920×1080, 1280×720, 704×480, 640×480)
Sub Stream	PAL: 25fps (704×576, 704×288, 640×360, 352×288) NTSC: 30fps (704×480, 704×240, 640×360, 352×240)
Third Stream	PAL: 25fps (352×288) NTSC: 30fps (352×240)
Image Setting	Saturation, brightness, contrast, sharpness, adjustable by client software or web browser
Image Enhancement	BLC/3D DNR/HLC
ROI	7 Dynamic Areas for Both Main and Sub Stream
OSD	16x16, 32x32, 48x48, 64x64, adaptable size, Letters Such as Week, Date, Time, Total 3 Regions
Picture Overlay	Yes
Privacy Mask	Yes
Smart Defog	Yes
FEATURE	
Alarm Trigger	Harsh Voice Alarm, Motion Detection, Mask Alarm, Network Disable Alarm, IP Conflict, MAC Conflict Detection
Video Analytics	Tripwire, Double Tripwire, Perimeter, Object Abandon, Object Lost, Loitering, Running, Heatmap, On Duty Detection, Video Abnormal, Audio Abnormal
NETWORK	
Protocols	TCP/IP, ICMP, HTTP, HTTPS, FTP, DHCP, DNS, DDNS, RTSP, PPPoE, NTP, UPnP, SMTP, IGMP, QoS, IPV4, MULTICAST, RTMP
ANR	Auto store video in SD card when NVR disconnected, and upload video to NVR when resumed connection (Only Support Impact Series ANR Support NVR)
Remote Connection	≤7
Client	IH-View
Web Version	Web6
INTERFACE	
Communication Interface	1 RJ45 10M/100M self adaptive Ethernet port
Audio	1/1
Alarm	1/1
Reset Button	Yes
On-board storage	Built-in MicroSD card slot, up to 256 GB

GENERAL	
Web Client Language	English
Operating Conditions	-40°C~70°C (IR OFF), -40°C~40°C (IR ON), 0-95%RH
Power Supply	DC12V±10%/POE
Power Consumption	10.7W(IR OFF), 21W(IR ON)
Protection	IP66, Lightning protection, surge protection and voltage transient protection
Heater	Yes
Dimensions	161x276mm (6.34x10.87inch)
Weight	2.9kg(6.39lb)

* Listed resolutions are only selectable options. It does not mean that all streams can work at their maximum resolution at the same time.

DIMENSIONS



INCLUDED



Wall Mount

For more information,

www.honeywellbuildings.in

Call: 000-8000-502167

Email: enquiry.mms@honeywell.com

Honeywell HBT India Buildings

Unitech Trade Center, 5th Floor, Sector-43,

Block C, Sushant Lok Phase - I,

Gurgaon - 122 002.

I-HIP2PI-S25X | 01 | 05/21
© 2021 Honeywell International Inc.

IMPACT
by Honeywell