

# HM-MCP-GLASS-UL MANUAL CALL POINT

## General

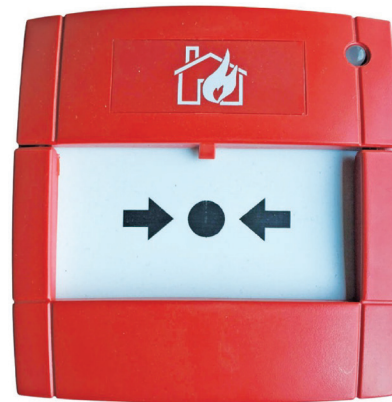
The HM-MCP-GLASS-UL is an addressable manual break glass call point which, as a simple rotary decade, switch at the rear of the unit for addressing.

A specialist test key may be inserted into the bottom of the unit to lower the glass and release the micro-switch – enabling a complete functionality test.

The HM-MCP-GLASS-UL call point is designed to provide a manual alarm interface to Morley IAS's fire alarm control panel. Installation efficiency and compliance with the latest standards are at the heart of the call point range.

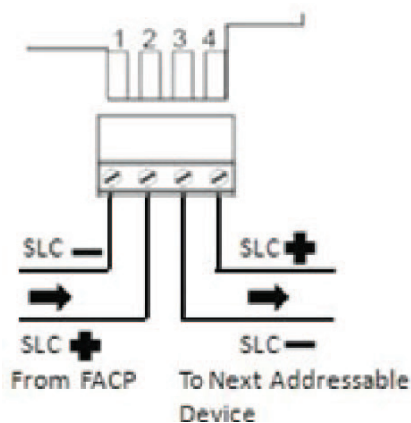
## LED Status

The LED status is controlled by the fire panel and shows blinking RED each time the device is polled, or continuous RED to indicate fire detection.

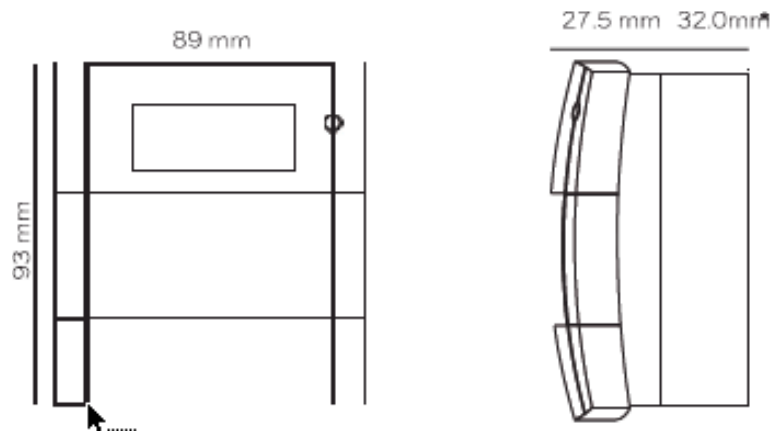


HM-MCP-GLASS-UL

## Connection Details



## Dimensions



## FEATURES & BENEFITS

- Innovative "Plug and Play" installation concept
- Analogue addressable communications
- Integral LED

# HM-MCP-GLASS-UL Technical Specifications

## Mechanical Specifications

PARAMETER	SPECIFICATION
Size	<ul style="list-style-type: none"><li>• Semi-flush mounting: 89 x 93 x 27.5 (WxHxD)</li><li>• Surface mounting: 89 x 93 x 59.5 (WxHxD)</li></ul>
Weight	110g (3.8 oz.)
IP Rating	IP24D
Operating Temperature	0°C to 49°C (32°F – 120°F)
Relative Humidity	10% - 93% non-condensing

## Electrical Specifications

PARAMETER	SPECIFICATION
Operating Voltage	15V to 32Vdc max
Current Consumption	Quiescent (without isolator) 385µA Alarm Current: 7.8 mA

## Optional Accessories

PART CODE	DESCRIPTION
PS230	Pack of 10 resettable elements
MUS041W	Manual call point back box
MUS156	Pack of 10 glass elements
SC070	Pack of 10 test keys

## Agency Listings and Approvals

Listing and approval below apply to the modules specified in this. In some cases, certain modules may not be listed by certain approval agencies, or listing may be in process. Consult factory for latest listing status.

- **UL Listed:** S36215

## Product Line Information

**HM-MCP-GLASS-UL** : Addressable break glass manual call point

### For more information,

<https://honeywellbuildings.in>

Call: 1-800-103-0339

Email: [HBT-Indiabuildings@honeywell.com](mailto:HBT-Indiabuildings@honeywell.com)

### Honeywell HBT India Buildings

Unitech Trade Center, 5th Floor, Sector-43,  
Block C, Sushant Lok Phase - I,  
Gurgaon - 122 002