

# CALL POINT

## HM-MCP-GLASS-AP

The call point is an addressable break glass manual call point which has a simple rotary decade switch at the rear of the unit for addressing.

A specialist test key may be inserted into the bottom of the unit to lower the glass and release the micro-switch and thus a full functional test is achieved.

The HM-MCP-GLASS-AP Call Point is designed to provide a manual alarm interface to Morley IAS's fire alarm control panel.

Installation efficiency, compliance with the latest standards are at the heart of the call point range



HM-MCP-GLASS-AP

## LED STATUS

The LED status is controlled by fire panel and shows blinking RED each time the device is polled, or continuous RED to indicate fire.

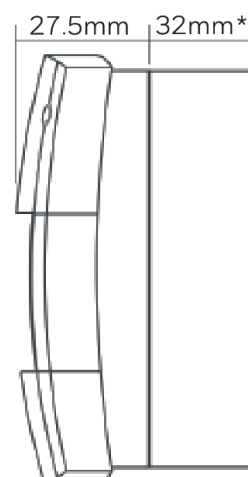
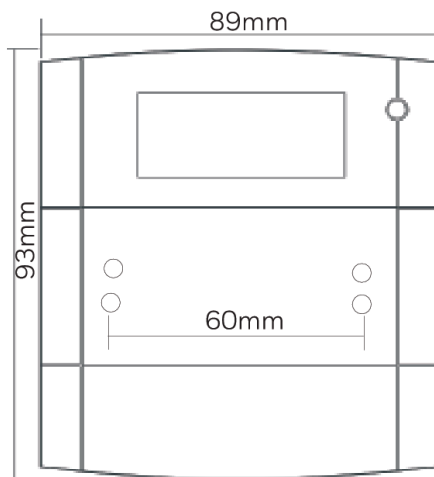


567av/08

## FEATURES & BENEFITS

- Unique 'Plug & Play' installation concept
- Analogue addressable communications
- Fully compliant with EN54, Part 11
- Integral LED
- Backward Compatibility

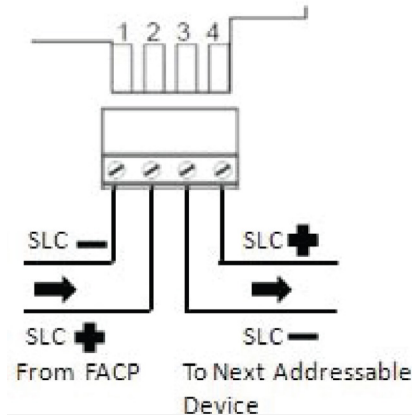
## DIMENSIONS



# Honeywell

MORLEY IAS  
FIRE SYSTEMS

# CONNECTION DETAILS



## MECHANICAL SPECIFICATION

Material	PC/ABS
Weight	130g Flush 180g Surface
Colour	Red, Ral 3001
Dimensions	Semi-flush mounting: 89 x 93 x 27.5 (WxHxD) Surface mounting : 89 x 93 x 59.5 (WxHxD)
IP Rating	IP24D
Operating Temperature	-10°C to 55°C
Relative Humidity	10% - 93% non-condensing

## ELECTRICAL SPECIFICATION

Operating Voltage	15V to 32Vdc max
Current Consumption	Quiescent Current: 80µA (24V, no comms) Alarm Current: 130µA ( 24V, with comms)

## PART NUMBERS

MANUAL CALL POINT	PRODUCT DESCRIPTION
HM-MCP-GLASS-AP	ADDRESSABLE CALL POINT

## OPTIONAL ACCESSORIES

PART CODE	DESCRIPTION
PS230	Pack of ten resettable elements
MUS041W	Manual call point back box
MUS155	Pack of five glass elements
SC070	Pack of 10 test keys

### For more information,

<https://honeywellbuildings.in>

Tel : +91 124 4975000

Email: HBT-Indiabuildings@honeywell.com

### Honeywell HBT India Buildings

Unitech Trade Center, 5th Floor, Sector-43,

Block C, Sushant Lok Phase - I,

Gurgaon - 122 002. Haryana India

<https://www.honeywellbuildings.in/>

HM-MCP-GLASS-AP | A | 09/23  
© 2023 Honeywell International Inc.

**THE  
FUTURE  
IS  
WHAT  
WE  
MAKE IT**

**Honeywell**