

35 SERIES HC35WB5R5



5MP IP WDR IR Bullet Camera



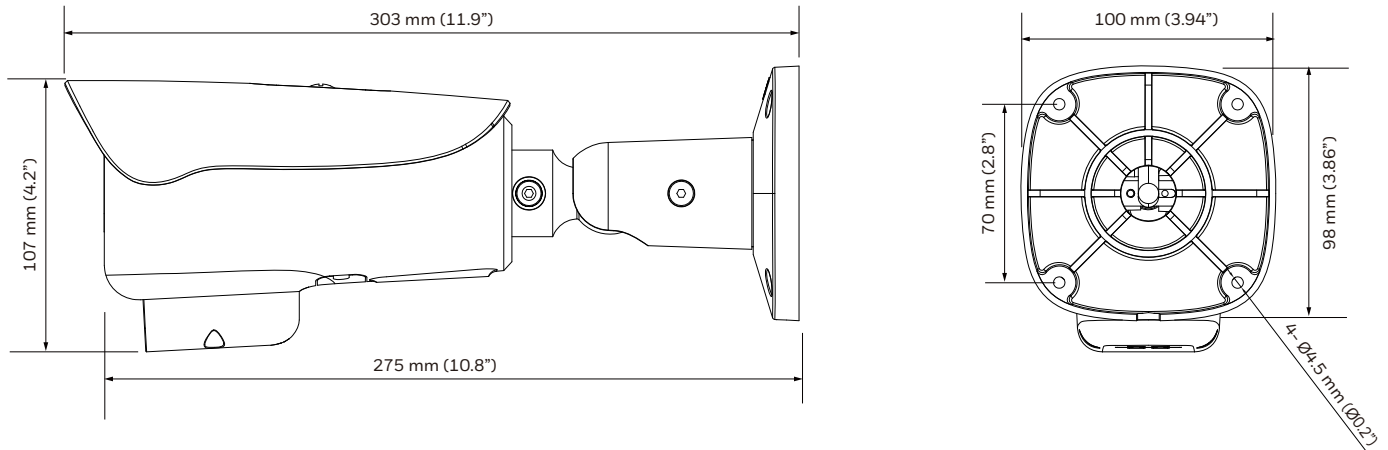
OPERATIONAL		NETWORK	
Video Standard	NTSC/PAL	Ethernet	10 Base-T/100 Base-TX Ethernet (RJ-45)
Scanning System	Progressive	Supported Web Browsers	Chrome/Edge
Image Sensor	1/2.8" CMOS	Supported OS	Microsoft Windows 10, Microsoft Windows 11
Sensor Size (H x V)	5.184 mm x 3.888 mm	Protocols**	IPv4, IPv6, TCP / IP, HTTP, HTTPS, RTSP / RTP / RTCP, IGMP / Multicast, SMTP, DHCP, NTP, DNS, QoS, SNMP, 802.1X, UDP, ICMP, ARP, TLS
Number Of Pixels(H x V)	2592 x 1944	Interoperability	ONVIF Profile G/S/T/M
Minimum Illumination (Color/BW)	0.007 Lux/F1.9 (Color,30IRE), 0 Lux/F1.9 (IR ON)	Maximum Users Access	10 Users
S/N Ratio	55 dB	Security	User account and password protection, HTTPS, IP Filter, Digest authentication, TLS1.2 only, Stream encryption, AES128 / 256, SSH / Telnet closed
Electronic Shutter Speed	1/8 ~ 1/100,000	Languages Supported	English, French, German, Spanish, Italian, Japanese, Portuguese, Russian, Arabic, Czech, Korean, Dutch, Polish, Turkish
IR Distance	Up to 100 m	EVENTS	
IR Light Control	Smart IR /Manual IR/OFF	Video Analytics	People Counter, Multi Loitering, Intrusion, Scene Change, Smart Motion Detection (SMD), Motion Detection, Face Detection, Line Crossing Detection, Unattended Object Detection, Missing Object Detection
IR Light Number	10	Event Type	Video motion detection, Alarm input, Recording notification, Scene change
Day/Night	Auto (ICR) / Color / BW	Event Linkage	Event notification using digital output, Email and MicroSD card
Backlight Compensation	WDR, BLC, HLC	Region Of Interest	8
White Balance	Auto/Tungsten/ Fluorescent/ Daylight/Shadow/Manual	ELECTRICAL	
Gain Control	0-100%	Power Supply	DC12V/AC24V/PoE(802.3af)(Class0)
Wide Dynamic Range	130 dB	Power Consumption (Max)	Max 11W
Noise Reduction	3D DNR	MECHANICAL	
Lens	5-50mm, DC Iris, F1.9, MFZ	Dimensions	303 mm x 104.9 mm x 114.6 mm (11.9" x 4.13" x 4.51")
Electronic Image Stabilization	Supported	Product Weight	1.24 kg (2.73 lb)
Angle Of View	H:45.92°-6.96°, V:33.96°-5.25°	Package Weight	1.6 kg (3.53 lb)
Privacy Masking	Off / On (4 Areas)	Body Material	Aluminum and Plastic
Defog	Supported	Color	Camera Body: Dark Metal Gray Sunshield: RAL 9003(Signal White) Front/Lens Facings: Pantone Black
Local Storage	Micro SD (up to 256 GB)	ENVIRONMENTAL	
Alarm Inputs/Outputs	1 In / 2 Out	Operating Temperature	Starting Temperature:-40°C ~ 60°C (-40°F ~ 140°F) Working Temperature:-40°C ~ 60°C (IR off)
Pan Range	0°~360°	Relative Humidity	Less than 90 %, non-condensing
Tilt Range	0° ~ 90°	Ingress Protection	IP66/IP67
Rotation Range	0°~360°	Impact Resistance	IK10
VIDEO		REGULATORY	
Video Compression	H.265 HEVC/H.264/MJPEG, Smart Codec	Emissions	FCC PART 15, CE (EN 55032), Complies with RCM and UKCA
Resolution	1st:2592x1944/2592x1520/1920x1080/1280x720 @ 25/30fps (1080P MAX 60fps when WDR off) 2nd:1920x1080/1280x720/704*576(PAL)/704*480(NTSC) 3rd:640*480/352*288(PAL)/352*240(NTSC) @ 25/30fps 3rd:640*480/352*288(PAL)/352*240(NTSC)/320*240 @ 25/30fps	Immunity	CE(EN 50130-4), Complies with RCM and UKCA
Number of Video Streams	3 (2 for encryption)	Safety	BIS as per IS 13252(Part 1):2010/ IEC 60950-1:2005, UL LISTED TO UL/CSA 62368-1, CE(EN 62368-1), Complies with RCM and UKCA
Frame Rate*	Main Stream: MAX 30 fps Second Stream: MAX 30 fps Third Stream: MAX 30 fps	RoHS	CE(EN 63000),UAE(Cabinet Decree No.10 of 2017)
Bit Rate*	100K-12Mbps	Country of Origin	India
AUDIO			
Audio Compression	G.711		
Audio Stream	2-Way, Full duplex		
Audio Interface	Line In/Out, Built-in Mic		

*For detailed information about frame rate and bit rate, please refer to the User Guide.

** Some development may be required in specific user cases to support some of these protocols in the field as they mature over time.

35 SERIES 5MP IP WDR IR BULLET CAMERA

DIMENSIONS



RECOMMENDED ACCESSORIES

SYSTEM INTEGRATION*	
Pro-Watch NVR	Up to 256 IP channels RAID5 / 6 Enterprise NVR
MAXPRO NVR PE	Up to 128 IP channels RAID5 / 6 Enterprise NVR
MAXPRO NVR SE	Up to 64 IP channels System NVR
MAXPRO NVR XE	Up to 16 IP channels System NVR
MAXPRO NVR SOFTWARE	Up to 128 IP channels Recording Software
MAXPRO NVR CE	Up to 256 IP channels System NVR
Honeywell DVM	Support with Honeywell DVM R710.1 (and later maintenance releases)
30 Series NVR	Integration with 30 Series NVR
35 Series NVR	Integration with 35 Series NVR

OPTIONAL MOUNTS AND ACCESSORIES**	
HA60BB1	60S junction box
HA60PLMZ	60S pole mount adapter
HA60CNMZ	60S corner mount adapter

**Mounting accessories are not included with camera and must be ordered separately. Please refer to the cross reference matrix or accessories datasheet for detailed information.

*Refer to the NVR integration matrix for more information.

ORDERING	
HC35WB5R5	WDR 5 MP IR MFZ Bullet Camera, 5-50mm, POE, IP66/67, IK10, DC12V/AC24V, Audio&Alarm In/Out

For more information

www.honeywellbuildings.in

Tel: 000-8000-502167

Email: HBT-Indiabuildings@honeywell.com

Honeywell HBA India

Unitech Trade Center,

5th Floor, Sector-43, Block C,

Sushant Lok Phase - I,

Gurgaon - 122 002.

www.honeywell.com



HEVC^{Advance}

ONVIF and the ONVIF logo are trademarks of ONVIF Inc.
HEVC Advance logo is a trademark of HEVC Advance
Honeywell reserves the right, without notification, to make changes in product design or specifications.

HSV-HC35WB5R5-01-IN(1123)DS-Y
© 2023 Honeywell International Inc.

Honeywell