

# 35 SERIES HC35WB2R2



## 2MP IP WDR IR MFZ Bullet Camera



OPERATIONAL		AUDIO	
Video Standard	NTSC/PAL	Audio Compression	G.711A / G.711U/G.726
Scanning System	Progressive	Audio Stream	2-Way, Full duplex
Image Sensor	1/2.8" CMOS	Audio Interface	Line In/Out
Sensor Size (H x V)	5.568 mm x 3.132mm	NETWORK	
Minimum Illumination (Color/BW)	0.005 Lux/F1.6 (Color,30 IRE), 0 Lux/F1.6 (IR ON)	Ethernet	10 Base-T/100 Base-TX Ethernet (RJ-45)
S/N Ratio	50db	Supported Web Browsers	Chrome / Edge
Electronic Shutter Speed	1/8 ~ 1/32,000	Supported OS	Microsoft Windows 10
IR Distance	up to 60 m	Protocols*	IPv4, IPv6, TCP / IP, HTTP, HTTPS, RTSP / RTP / RTCP, IGMP / Multicast, SMTP, DHCP, NTP, DNS, QoS, SNMP, 802.1X, UDP, ICMP, ARP, TLS
IR Light Control	Smart IR (Auto/Manual)/OFF	Interoperability	ONVIF Profile G/S/T/M
IR Light Number	4	Maximum Users Access	10 Users
Day/Night	Auto (ICR) / Color / BW	Security	User account and password protection, HTTPS, IP Filter, Digest authentication, TLS1.2 only, Stream encryption, AES128 / 256, SSH / Telnet closed, PCI-DSS compliance
Backlight Compensation	WDR, HLC, BLC	Languages Supported	Arabic, Czech, Dutch, English, French, German, Italian, Japanese, Korean, Polish, Portuguese (Brazil), Russian, Spanish, Turkish
White Balance	Auto/Tungsten/ Fluorescent/ Daylight/Shadow/ Manual	EVENTS / ANALYTICS	
Gain Control	0-100%	Built-in Video Analytics	People Counter, Multi Loitering, Intrusion, Tampering, Smart Motion Detection, Motion Detection, Line Crossing, Face Detection
Wide Dynamic Range	120dB	Event Type	Video motion detection, Alarm input, Recording notification, Tampering
Noise Reduction	2D / 3D DNR	Event Linkage	Event notification using digital output, Email and MicroSD card
Lens	2.7-13.5 mm, DC-Iris,F1.6-F3.3, MFZ	Region Of Interest	8
Angle Of View	H:110°-33°, V:58°-18°	ELECTRICAL	
Privacy Masking	Off / On (4 Areas)	Power Supply	DC12V, PoE (IEEE 802.3af) (Class 0)
Defog	Supported	Power Consumption (Max)	MAX 5.5W
Local Storage	Micro SD (up to 256 GB)	MECHANICAL	
Alarm Inputs/Outputs	1 In / 1 Out	Dimensions (D x D x H)	Ø87.0 mm x 232.0 mm (Ø3.43" x 9.13")
VIDEO		Dome Diameter	N/A
Video Compression	H.265 HEVC/H.264/MJPEG, Smart Codec	Product Weight	0.92 kg (2.03 lb)
Resolution	1st: 1920 x 1080 / 1280 x 720 2nd: 704 x 576(PAL) / 704 x 480(NTSC) / 640 x 480 / 352 x 288(PAL) / 352 x 240(NTSC) 3rd: 1920 x 1080 / 640 x 480 / 352 x 288(PAL) / 352 x 240(NTSC) / 320 x 240	Package Weight	1.05 kg (2.31 lb)
Number of Video Streams	3 (2 for encryption)	Body Material	Die-cast aluminium housing
Frame Rate*	MAX 30 fps	Color	Camera Body: RAL 9003 (Signal White)Front/Lens Facings: Pantone Black
Bit Rate*	100K ~ 6 Mbps		

\*For detailed information about frame rate and bit rate, please refer to the User Guide.

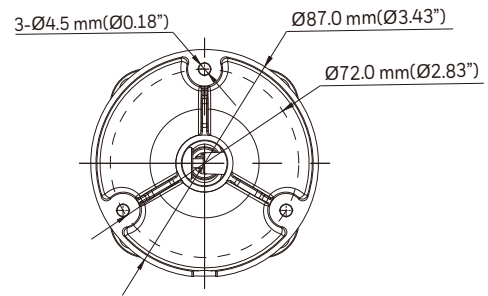
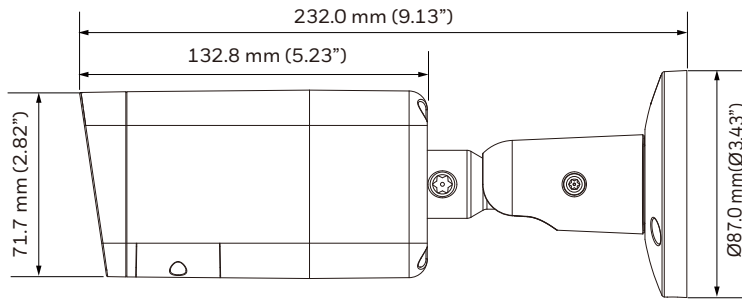
\*\* Some development may be required in specific user cases to support some of these protocols in the field as they mature over time.

**Honeywell**

# 35 SERIES 2MP IP WDR IR MFZ BULLET CAMERA

ENVIRONMENTAL		REGULATORY	
Operating Temperature	Starting Temperature: -40°C ~ 60°C (-40°F ~ 140°F) Working Temperature: -40°C ~ 60°C (-40°F ~ 140°F) (IR off)	Emissions	FCC PART 15, CE (EN 55032), Complies with RCM and UKCA
Relative Humidity	Less than 90 %, non-condensing	Immunity	CE(EN 50130-4), Complies with RCM and UKCA
Ingress Protection	IP67	Safety	UL LISTED TO UL/CSA 62368-1, CE(EN 62368-1), Complies with RCM and UKCA
Impact Resistance	IK10	RoHS	CE (EN 63000), UAE (Cabinet Decree No.10 of 2017)
		Country of Origin	Vietnam, India

## DIMENSIONS



# 35 SERIES 2MP IP WDR IR MFZ BULLET CAMERA

## RECOMMENDED ACCESSORIES AND ORDERING

SYSTEM INTEGRATION*		OPTIONAL MOUNTS AND ACCESSORIES	
Pro-Watch NVR	Up to 256 IP channels RAID5 / 6 Enterprise NVR	HA60JCBH1	60S junction box
MAXPRO NVR PE	Up to 128 IP channels RAID5 / 6 Enterprise NVR	HA60PLMZ	60S pole mount adapter
MAXPRO NVR SE	Up to 64 IP channels System NVR	HA60CNMZ	60S corner mount adapter
MAXPRO NVR XE	Up to 16 IP channels System NVR		
MAXPRO NVR SOFTWARE	Up to 128 IP channels Recording Software		
Honeywell DVM	Support with Honeywell DVM R710.1 (and later maintenance releases)		
30 Series NVR	Integration with 30 Series NVR		
35 Series NVR**	Integration with 35 Series NVR		

\*Refer to the NVR integration matrix for more information.

ORDERING	
HC35WB2R2	2 MP IR MFZ Bullet Camera, WDR 120dB, 2.7-13.5 mm, POE, DC12V, Audio & Alarm In/Out

### For more information,

[www.honeywellbuildings.in](http://www.honeywellbuildings.in)

Call: 000-8000-502167

Email: [HBT-IndiaBuildings@Honeywell.com](mailto:HBT-IndiaBuildings@Honeywell.com)

### Honeywell HBT India Buildings

Unitech Trade Center, 5th Floor, Sector-43,

Block C, Sushant Lok Phase - I,

Gurgaon - 122 002.



HEVC Advance™

ONVIF and the ONVIF logo are trademarks of ONVIF Inc. HEVC Advance logo is a trademark of HEVC Advance. Honeywell reserves the right, without notification, to make changes in product design or specifications.

HSV-HC35WB2R2-01-IN(0423)DS-Y | 01 | 04/23  
© 2023 Honeywell International Inc.

THE  
FUTURE  
IS  
WHAT  
WE  
MAKE IT

**Honeywell**