

20 SERIES HC20WE5R3



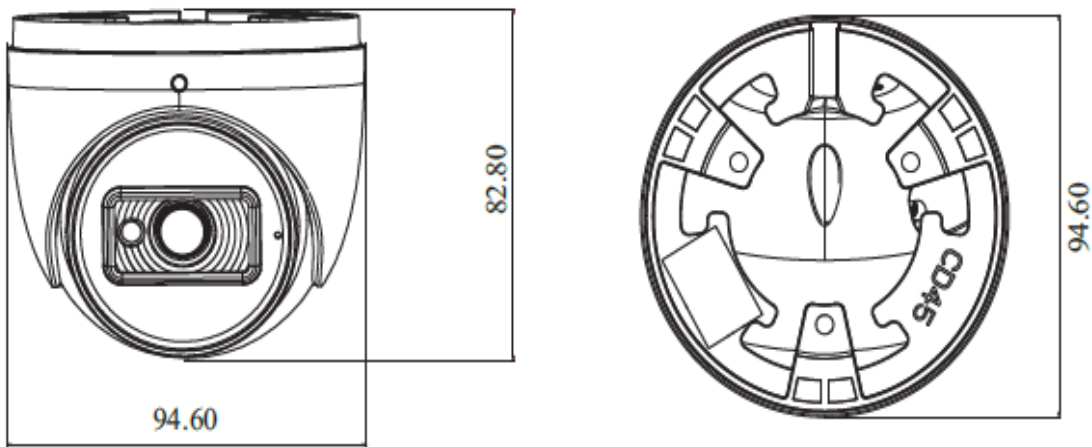
5MP IP WDR IR Fixed Ball Camera

OPERATIONAL		AUDIO	
Video Standard	NTSC/PAL	Audio Compression	G.711A/G.711U
Scanning System	Progressive	Audio Stream	1-way
Image Sensor	1/2.7" CMOS	Audio Interface	1CH audio input; 1CH built-in MIC
Number Of Pixels (H x V)	2880x1620	NETWORK	
Minimum Illumination (Color/BW)	0.007 lux @F1.6, AGC ON; 0 lux with IR	Ethernet	10 Base-T/100 Base-TX Ethernet (RJ-45)
S/N Ratio	≥50db	Supported Web Browsers	Chrome/Edge
Electronic Shutter Speed	1/2s ~ 1/100,000s	Supported OS	Microsoft Windows 10
IR Distance	20 ~ 30 m	Protocols*	IPv4, IPv6, TCP / IP, UDP, DHCP, NTP, RTSP, RTP, RTCP, PPPoE, DNS, DDNS, SMTP, FTP, 802.1x, SNMP, UPnP, HTTP, HTTPS, QoS, IGMP / Multicast, ICMP, ARP, TLS
IR Light Control	Smart IR (Auto/Manual)/OFF	Interoperability	ONVIF Profile G/S/T
Day/Night	ICR	Maximum Users Access	3 Users
Backlight Compensation	WDR, HLC, BLC	Security	User account and password protection, HTTPS, IP Filter, Digest authentication, TLS1.2 only, AES128 / 256, SSH / Telnet closed
White Balance	Auto/Indoor/Outdoor/Manual	Languages Supported	English, Italian, Portuguese, Russian, Spanish(Mexico), Dutch, French, German, Polish, Japanese, Chinese, Korean
Gain Control	Auto/Manual	EVENTS / ANALYTICS	
Wide Dynamic Range	120dB	Built-in Video Analytics	Motion Detection, Tampering, Intrusion, Object, Video Exception (scene change, video blur and video cast detection), line crossing detection and region intrusion detection
Noise Reduction	3D DNR	Region Of Interest	8
Lens	2.8mm@ F1.6	ELECTRICAL	
Angle Of View	H:94°, V:50°	Power Supply	12VDC, PoE (IEEE 802.3af) (Class 3)
Privacy Masking	Off / On (4 Areas)	Power Consumption (Max)	MAX 5W
Local Storage	Micro SD (up to 256 GB)	MECHANICAL	
VIDEO		Dimensions (D x D x H)	Ø 94.6 mm x 82.8 mm (Ø 3.72" x 3.25")
Video Compression	Main stream: H.265 / H.264 Sub stream: H.265 / H.264 / MJPEG Third stream: H.265 / H.264 / MJPEG	Product Weight	0.46 kg (1.01lb)
Resolution	5MP (2880 x 1620), 4MP (2560 x 1440), 3MP (2304 x 1296), 1080P (1920 x 1080), 720P (1280 x 720), D1, 480x240, CIF	Package Weight	0.56 kg (1.23lb)
Number of Video Streams	3	Body Material	Metal housing
Frame Rate Main Stream	60Hz: 5MP(1~20fps)/4MP/3MP/1080P/720P(1~30fps); 50Hz: 5MP(1~20fps)/4MP/3MP/1080P/720P(1~25fps)	ENVIRONMENTAL	
Frame Rate Second Stream	60Hz: 720P/D1/CIF(1~30fps); 50Hz: 720P/D1/CIF(1~25fps)	Operating Temperature	-30 °C ~ 60 °C (-22°F~140°F)
Frame Rate Third Stream	60Hz: D1/480x240/CIF(1~30fps); 50Hz: D1/480x240/CIF(1~25fps)	Relative Humidity	Less than 90% (non-condensing)
Bit Rate	64 Kbps ~ 8 Mbps		

Ingress Protection	IP67	SYSTEM COMPATIBILITY	
Impact Resistance	IK10	20 Series NVR	Integration with 20 Series NVR
REGULATORY		35 Series NVR	Integration with 35 Series NVR
Emissions	EN 55032, FCC PART 15	*Refer to the NVR integration matrix for more information.	
Immunity	EN 55035		
Safety	IEC 60950-1, IS 13252(Part 1)		
RoHS	IEC 62321		

20 SERIES 5MP IP WDR IR FIXED BALL CAMERA

DIMENSIONS



ORDERING	
HC20WE5R3	5 MP IR Fixed Ball Camera, WDR 120dB, 2.8 mm, PoE, DC12V, Audio In, IK10 Casing

For more information,

www.honeywellbuildings.in

Call: 000-8000-502167

Email: HBT-IndiaBuildings@Honeywell.com

Honeywell HBT India Buildings

Unitech Trade Center, 5th Floor, Sector-43,

Block C, Sushant Lok Phase - I,

Gurgaon - 122 002.



ONVIF and the ONVIF logo are trademarks of ONVIF Inc. HEVC Advance logo is a trademark of HEVC Advance. Honeywell reserves the right, without notification, to make changes in product design or specifications.

HC20WE5R3 | 01 | 02/23

© 2023 Honeywell International Inc.

**THE
FUTURE
IS
WHAT
WE
MAKE IT**

Honeywell