

White Flash

Open-Area VADs



Product overview

Product Type	Visual Alarm Device
Part No.	55000-740 XP95 Open-Area VAD Cat. C - Red Body (White Flash) (C-3-15)
	55000-742 XP95 Open-Area VAD Cat.C - Red Body (White Flash) (C-3-8)
	55000-743 XP95 Open-Area VAD Cat.C - White Body (White Flash) (C-3-15)
	55000-745XP95 Open-Area VAD Cat.C - White Body (White Flash) (C-3-8)
Digital Communication	XP95, Discovery and CoreProtocol® compatible

Product information

The addressable Loop Powered Visual Alarm Devices (VADs) have been developed as primary or supplementary alarm devices. VADs may be used in situations where there is a risk that sounders will not be heard. It might also be required where deaf or hearing impaired persons may be present.

The C-3-15 products require a specialist installation method - please purchase kit - 55000-747APO (C-3-15, red body) or 55000-748APO (C-3-15, white body) and refer to IG:39215-365 for further information.

- Uses high intensity LEDs
- EN 54-23 compliant Category C VAD
- Coverage C-3-8 and C-3-15
- Flash rate 0.5 Hz
- Fault signal if LED check failed
- Wide angle of visibility
- Synchronised flash rates with the Apollo Protocol

Technical data

All data is supplied subject to change without notice. Specifications are typical at 24 V, 25°C and 50% RH unless otherwise stated.

Coverage Class	C-3-8 and C-3-15
Flash Colour	White
Flash Rate	0.5 Hz
Digital Communications	XP95, Discovery and CoreProtocol compatible
Supply Voltage	17 V - 28 V dc (polarity sensitive)
Power Up Surge Current	1.5 mA
Quiescent	280 µA
Alarm Current (LED On)	12.0 mA (C-3-8) 29.9 mA (C-3-15)
Operating temperature	-10 °C to +55 °C
Humidity (no condensation or icing)	0% to 95% RH
Vibration, impact and shock	EN 54-23
IP Rating	IP54 (when used with Part No. 45681-210, Part No. 45681-284 or Part No. SA5000-200 Mounting Base) IP55 (when using the Deckhead Mounting Box Part No. 45681-217)
Approvals and Standards	EN 54-23, CPR, LPCB and VdS
Dimensions	Part No. 55000-740 & 55000-743: 100mm diameter x 48mm height (56mm height with XPERT 7 Mounting Base) see Figure 2 Part No. 55000-742 and 55000-745: 100mm diameter x 50mm height (58mm height with XPERT 7 Mounting Base) see Figure 3
Weight	105 g
Material	White / Red fire retardant polycarbonate

Note: Tested by Apollo to -40°C to +70°C

Application

The Loop Powered Addressable Visual Alarm Device is a local area VAD designed for indoor use.

The VAD can be connected to systems with XP95, Discovery or Soteria® devices on the loop.

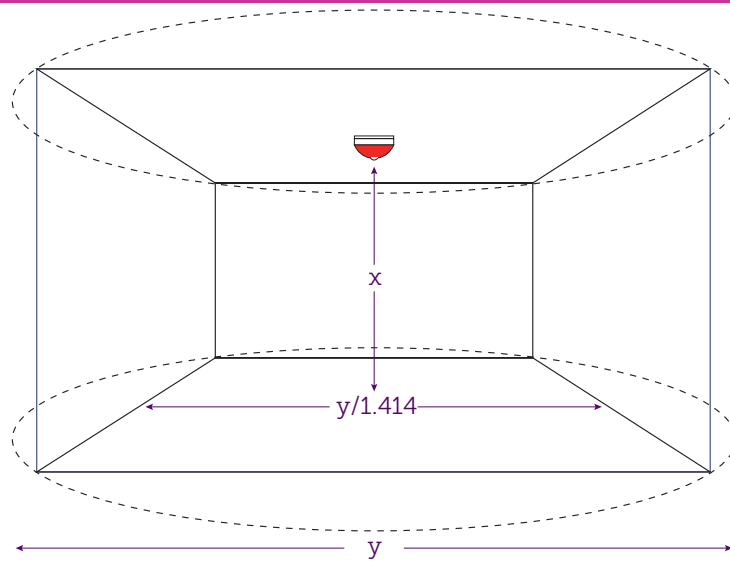
The Loop Powered VAD can be fitted to any XPERT 7 or XPERT 8 Mounting Base.

When fitted to an Ancillary Base Sounder (Part No. 45681-276) the sounder activation will be controlled by the VAD.

When fitted to an Integrated Base Sounder the devices can be controlled separately via their individual address.

Figure 1 shows the coverage volume for the ceiling category VAD with example calculations.

Figure 1: Category C Open-Area VAD with XPERT 7 Mounting Base coverage area



X - The maximum height in metres at which the VAD may be mounted.

Y - The diameter in metres of the cylindrical volume covered when the device is mounted to the ceiling at a height of 3 m.

55000-740 XP95 Open-Area VAD Cat. C - Red Body (White Flash) (C-3-15)

55000-742 XP95 Open-Area VAD Cat.C - Red Body (White Flash) (C-3-8)

55000-743 XP95 Open-Area VAD Cat.C - White Body (White Flash) (C-3-15)

55000-745XP95 Open-Area VAD Cat.C - White Body (White Flash) (C-3-8)

Note: C-X-Y represents C-3-8 / C-3-15

Table 1 Digital Communications Protocol Compatibility

Protocol	Device Behaviour
XP95 / Discovery †	S90
CoreProtocol †	S90

† Fire Control Panel Dependent

Electrical Considerations

The VAD is loop powered and requires no external power supply. It operates at 17 V - 28 V dc.

Loop Loading

Each VAD must be fitted between Apollo 20D isolators (see PP2090 for a list of 20D isolators). The maximum number of devices is dependent on the devices individual coverage class.

In order to determine the exact number in a loop please use the 'Loop Calculator' available as a free download on the Apollo website: www.apollo-fire.co.uk

Addressing

The Loop Powered VAD must be assigned an address by coding the XPERT card.

Mechanical Construction

The case of the VAD is made of white or red self extinguishing polycarbonate with stainless steel contacts.

EMC Directive 2014/30/EU

The VAD complies with the essential requirements of the EMC Directive 2014/30/EU, provided that it is used as described in this datasheet.

A copy of the Declaration of Conformity is available from the Apollo website: www.apollo-fire.co.uk

Construction Products Regulation (EU) 305/2011

The VAD complies with the essential requirements of the Construction Products Regulation (EU) 305/2011.

A copy of the Declaration of Performance is available from Apollo website: www.apollo-fire.co.uk

Figure 2: Open-Area VAD (C-3-15) with XPERT 7 Mounting Base Dimensional Drawing

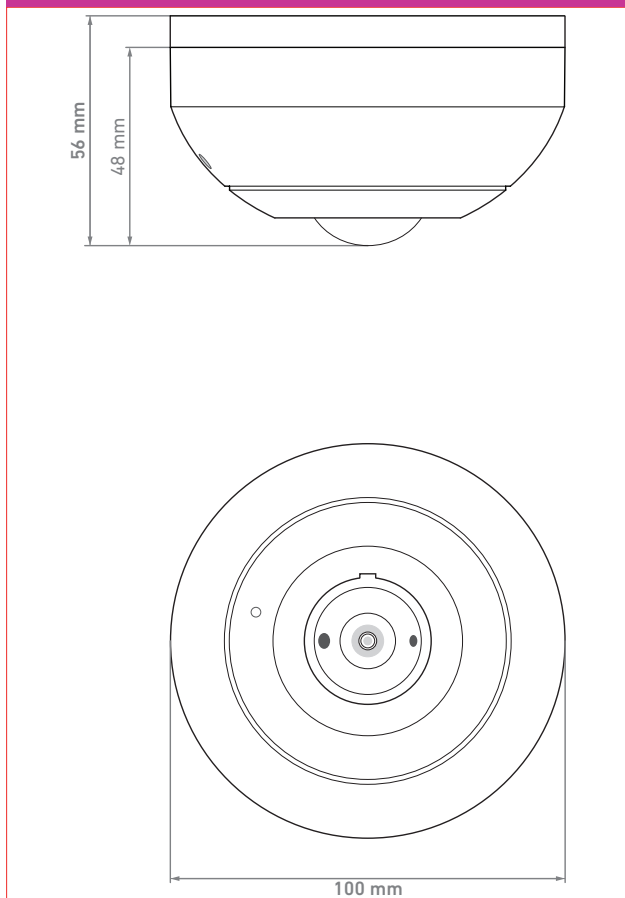


Figure 3: Open-Area VAD (C-3-8) with XPERT 7 Mounting Base Dimensional Drawing

