

Discovery

Aspirating Smoke Detector



Product overview

Product	Aspirating Smoke Detector - ASD-1
Part No.	29650-081
Product	Aspirating Smoke detector - ASD-2
Part No.	29650-082

Compliance



Product information

The Discovery Aspirating Smoke Detectors (ASDs) are point based professional air-sampling units designed to compliment analogue addressable system technology. They combine standard field serviceable smoke detectors with a stand-alone air sampling solution to provide protection of difficult to access, environmentally demanding, aesthetic or architecturally restricted areas.

- Economical, single or dual area aspirated 'smoke' detection
- Uses the Discovery Optical analogue addressable detector
- Detection element can be serviced or replaced
- One or two sampling chambers
- Can be installed up to 50 metres away from the sampling point
- Easy to install, commission and maintain
- Low operating current
- IP65 enclosure
- Addressable monitoring of fail safe fault relays via a mini switch monitor

Technical data

All data is supplied subject to change without notice. Specifications are typical at 24 V, 25°C and 50% RH unless otherwise stated.

Loop supply voltage	17 to 28 V dc, 3 mA
Local supply voltage:	Nominal 24 V dc (17 to 28 V dc)
Operating current	300 mA max (fan speed dependant)
Fault monitoring	Power failure (common), flow fault per channel
Relay outputs	1 or 2 changeover relays
Cable terminals	Removable 2.0 mm maximum
Display	5 common status plus 10 segment LED bargraph per channel
Controls	External weatherproof - code protected
Flow monitoring	Thermal with adjustable high/low and sensitivity limits
Operating temperature	-10°C to +60°C (14°F to 140°F)
Humidity (no condensation or icing)	10% to 95% RH
IP Rating	IP65 with exhaust pipe fitted and cable entries sealed
Standards and approvals	EN 54-20, CPR, VdS
Filtration (standard internal)	Replaceable dust particle filter. Harsh environment filter also available
Filtration (external)	Optional external harsh environmental filter
Sampling pipe inlets (one per channel):	1 or 2 (29650-081 and 29650-082)
Detectors	Discovery optical detectors in Mode 1
Sampling pipe length	50 m (max) per pipe.
Sampling pipe diameter	1 or 2 x 25 mm (0.98 in.), 21 mm (0.83 in.) nominal bore
Exhaust air pipe outlet	1 x 25 mm (0.98 in.), 21 mm (0.83 in.) nominal bore
Dimensions	259 mm width x 184 mm height x 166 mm depth
Weight	2.3 kg
Materials	ABS with tamper-proof locking mechanism using a special key

36 Brookside Road, Havant | Tel: +44 (0)23 9249 2412 | Email: sales@apollo-fire.com
 Hampshire, PO9 1JR, UK. | Fax: +44 (0)23 9249 2754 | Web: www.apollo-fire.co.uk

All information in this document is given in good faith but Apollo Fire Detectors Ltd cannot be held responsible for any omissions or errors. The company reserves the right to change the specifications of products at any time and without prior notice.

Operation

Air is drawn from the protected area through one or two perforated 25 mm pipes per channel. A powerful fan together with sophisticated air-flow monitoring and control circuitry ensures that transport delays are minimised and air-flow is kept within working limits. System status and flow control is continuously shown (per channel), with on-board fault relays enabling remote fault monitoring of each channel. Power management ensures that operating current is kept to a minimum enabling superior performance and optimisation of external power supply and standby battery resources.

Included with the ASD

- One or two Discovery optical detectors programmed to Mode 1
- Pre-wired detector base(s)
- Pre-wired and installed Mini Switch Monitor for monitoring fault relays (single unit for both ASD-1 and ASD-2 devices)

EMC Directive 2014/30/EU

The Discovery Aspirating Smoke Detector complies with the essential requirements of the EMC Directive 2014/30/EU, provided that it is used as described in this datasheet.

A copy of the Declaration of Conformity is available from Apollo on request.

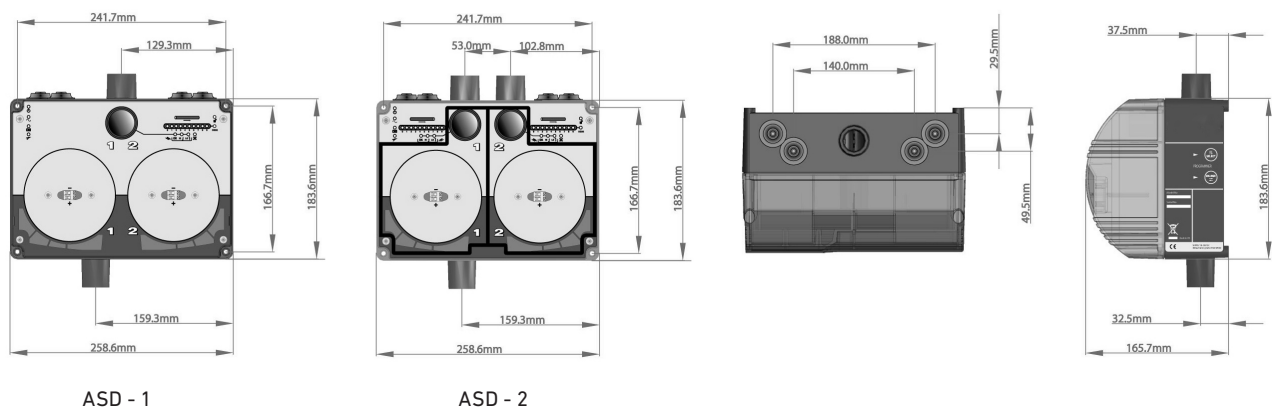
Conformity of the Discovery Aspirating Smoke Detector with the EMC Directive, does not confer compliance with the directive on any apparatus or systems connected to them.

Construction Products Regulation 305/2011/EU

The Discovery Aspirating Smoke Detector complies with the essential requirements of the Construction Products Regulation 305/2011/EU.

A copy of the Declaration of Performance is available from Apollo on request.

Discovery Aspirating Detector dimensions



Discovery Aspirating Detector wiring diagram (ASD-1 and ASD-2)

